

# C-SUD-110MT1 \* - \* \* \*

Series

Type

Color

B : Black

Material

L : LCP

Shell

N : Nickel Plated

Version

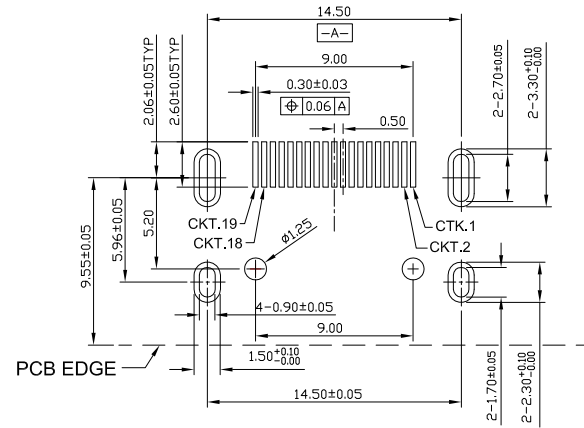
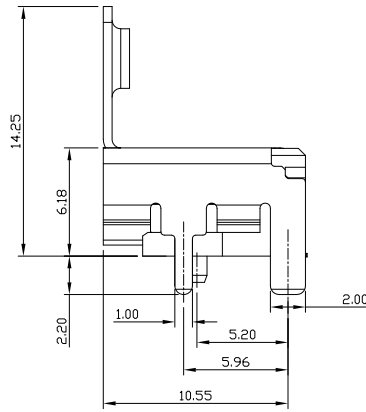
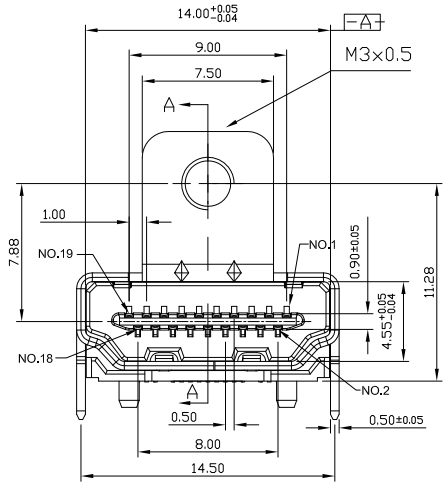
0 : 3u"

1 : 5u"

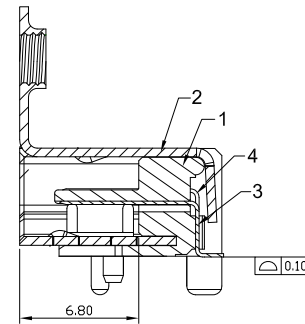
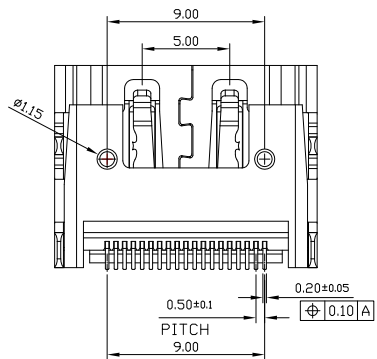
2 : 15£g"

3 : 30£g"

REV	ZONE	REVISION	DATE	APPD.



RECOMMENDED PCB LAYOUT  
TOP VIEW



SECTION A-A

NO.	NAME	MATERIAL	PLATING
1	HOUSING	LCP	
2	SHELL	Alloy	Ni-Plated
3	CONTACT 1	Copper Alloy	Gold-Plated
4	CONTACT 2	Copper Alloy	Gold-Plated



COMPUTER NO.

D: \ DWG \ SUD-110MT1

UNIT

mm

SCALE

1 : 1

PART NAME

HDMI A Type 19P/F  
90° SMT With Flange

APPD.

CKD.

DWG.

DATE

2010-12-08

TOLERANCE

0.000mm ± 0.075mm  
0.00 mm ± 0.20 mm  
0.0 mm ± 0.25 mm

PART NO.

REV.

A

MODEL

C-SUD-110MT1 \* - \* \* \*

PAGE 1 OF 1

Aaron

Eric