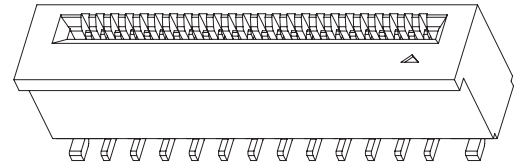
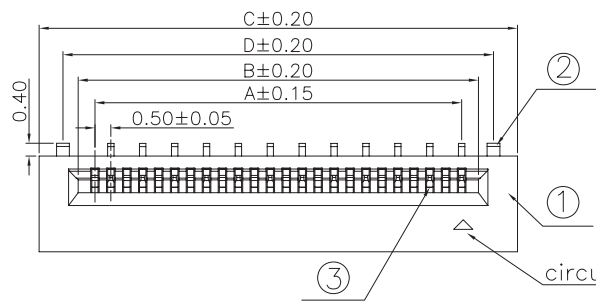
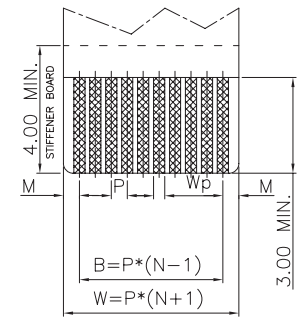
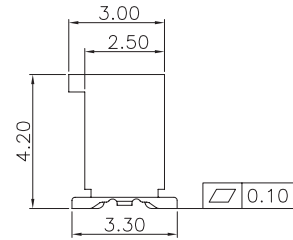
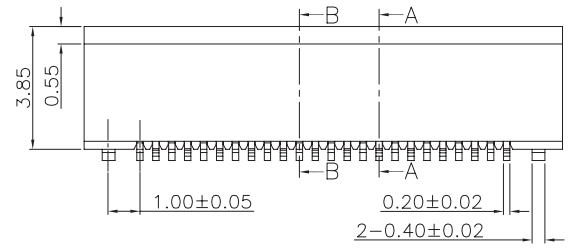


NO.	COMPONENTS	MATERIALS	SPECIFICATION:FINISH/COLOR	QTY.
1	HOUSING	GLASS FILLED LCP, UL94V-0	NATURAL	1
2	ANCHOR-PLATE	BRASS, T=0.40mm	SURFACE PLATING:2~5 um Sn UNDER PLATING:1~3 um Ni	2
3	CONTACT	PHOSPHOR BRONZE, T=0.20mm	SURFACE PLATING:SEE "NOTE" UNDER PLATING:1~3 um Ni	N



NOTE:
 1.ALL MATERIAL MUST BE COMPLY WITH SS-00259 OR RoHS.
 2.PART NO. LEGEND:
 F31G-1A7A1-110**

NO. OF POSITIONS
 7A:PHOSPHOR BRONZE
 MATTER TIN
 7H:PHOSPHOR BRONZE
 0.05um MIN Au(Au Area)
 1A:LCP NATURAL
 1G:A TYPE

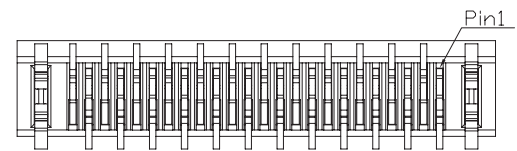


	FPC	FFC
M	0.5±0.05	0.5±0.05
P	0.5±0.03	0.5±0.03
B	B±0.05	B±0.05
W	W±0.07	W±0.07
Wp	0.35±0.03	0.30±0.05

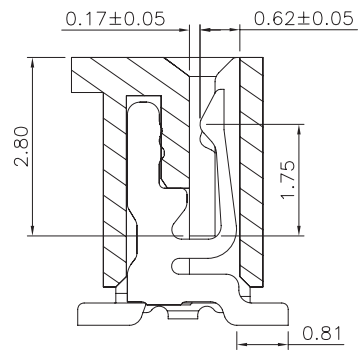
APPLICABLE FPC/FFC DIMENSION
 THICKNESS:T=0.30±0.05

DIMENSION LIST:

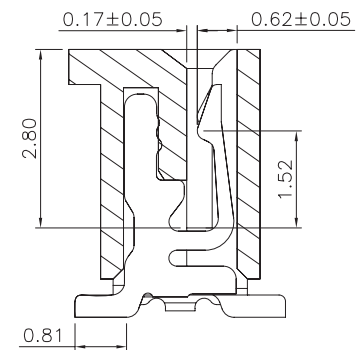
NO. OF POS.	A	B	C	D	NO. OF POS.	A	B	C	D
4	1.50	2.55	5.00	3.50	33	16.00	17.05	20.00	18.00
5	2.00	3.05	5.50	4.00	34	16.50	17.55	20.50	18.50
6	2.50	3.55	6.00	4.50	35	17.00	18.05	21.00	19.00
7	3.00	4.05	6.50	5.00	36	17.50	18.55	21.50	19.50
8	3.50	4.55	7.00	5.50	37	18.00	19.05	22.00	20.00
9	4.00	5.05	7.50	6.00	38	18.50	19.55	22.50	20.50
10	4.50	5.55	8.00	6.50	39	19.00	20.05	23.00	21.00
11	5.00	6.05	8.50	7.00	40	19.50	20.55	23.50	21.50
12	5.50	6.55	9.00	7.50	41	20.00	21.05	24.00	22.00
13	6.00	7.05	9.50	8.00	42	20.50	21.55	24.50	22.50
14	6.50	7.55	10.00	8.50	43	21.00	22.05	25.00	23.00
15	7.00	8.05	10.50	9.00	44	21.50	22.55	25.50	23.50
16	7.50	8.55	11.00	9.50	45	22.00	23.05	26.00	24.00
17	8.00	9.05	11.50	10.00	46	22.50	23.55	26.50	24.50
18	8.50	9.55	12.00	10.50	47	23.00	24.05	27.00	25.00
19	9.00	10.05	12.50	11.00	48	23.50	24.55	27.50	25.50
20	9.50	10.55	13.00	11.50	49	24.00	25.05	28.00	26.00
21	10.00	11.05	13.50	12.00	50	24.50	25.55	28.50	26.50
22	10.50	11.55	14.00	12.50					
23	11.00	12.05	14.50	13.00					
24	11.50	12.55	15.00	13.50					
25	12.00	13.05	15.50	14.00					
26	12.50	13.55	16.00	14.50					
27	13.00	14.05	16.50	15.00					
28	13.50	14.55	17.00	15.50					
29	14.00	15.05	17.50	16.00					
30	14.50	15.55	18.00	16.50					
31	15.00	16.05	18.50	17.00					
32	15.50	16.55	19.00	17.50					



A TYPE



Section A-A
Scale 2:1



Section B-B
Scale 2:1

P.C.B LAYOUT A TYPE (REFERENCE) TOL:±0.05

△	DATE	ECR	冠泰电子有限公司 CHAMPWAY ELECTRONICS CO., LTD.				PART NAME: FPC NON-ZIF P0.5 VERTICAL A-TYPE SMT				S/C NO		TOLERANCE:	
△											PART NUMBER: F31G-1A7A1-110**			
△			APPROVAL	CHECKED	DRAWING	DRAWING NO	DATE	REV	SCALE	UNIT	NO.		.XX ±0.20	
△			Roy	Zhengxian.ye	Henry	A-S0104	130425	A	N/A	mm	1/1		.XXX ±0.10	