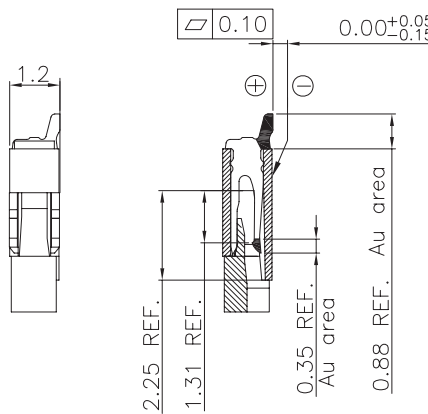
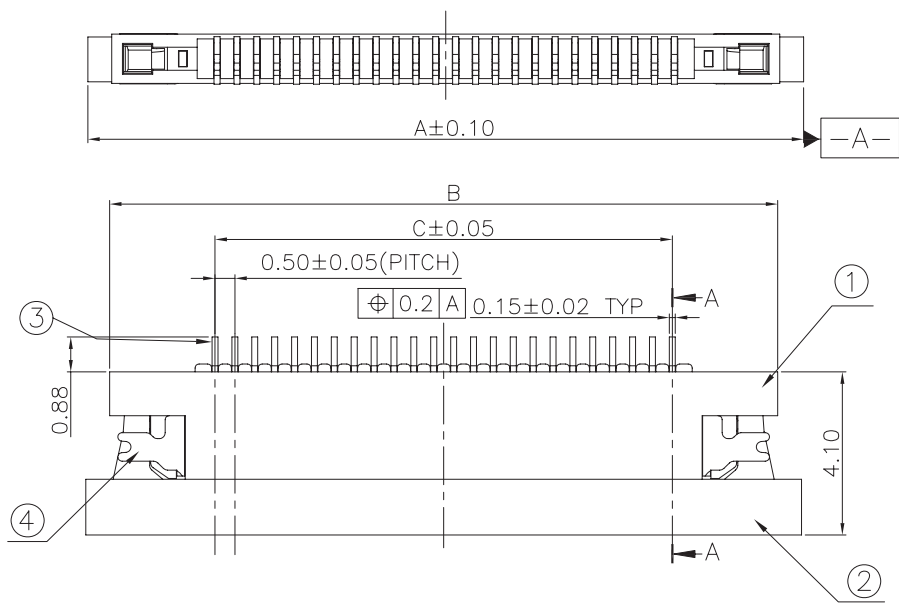
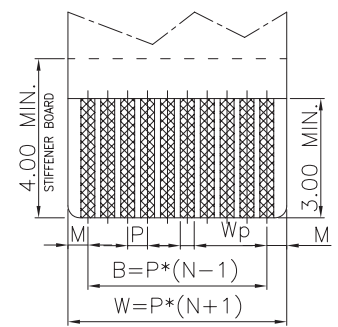
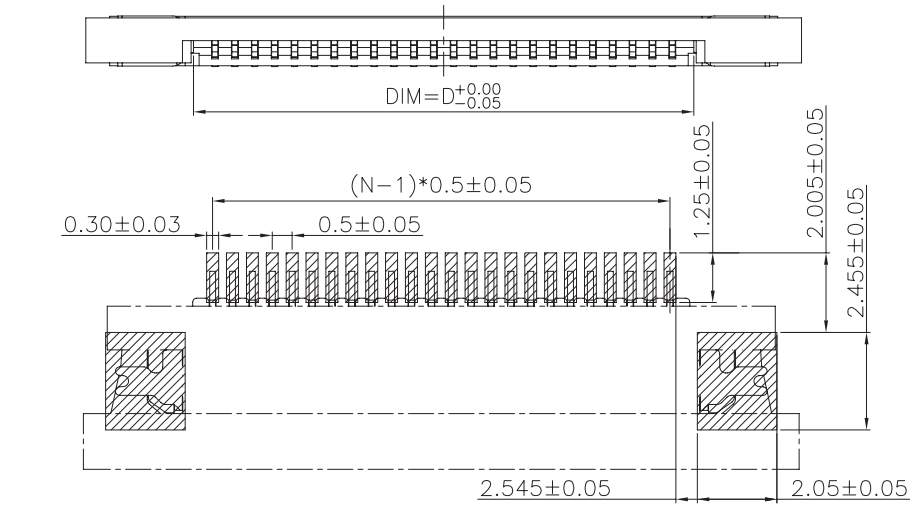


NO.	COMPONENTS	MATERIALS	SPECIFICATION/FINISH/COLOR	QTY.
1	HOUSING	THERMOPLASTIC(94V-0)	WHITE	1
2	ACTUATOR	THERMOPLASTIC(94V-0)	BLACK	1
3	TERMINAL	PHOSPHOR BRONZE, T=0.15mm	SURFACE PLATING: Au SEE "NOTES-4" UNDER PLATING:1~3um Ni	N
4	STATOR	PHOSPHOR BRONZE, T=0.15mm	SURFACE PLATING:2~4um Sn UNDER PLATING:1~3um Ni	2



- NOTES:
- ALL MATERIAL MUST BE COMPLY WITH GGP-001/SS-00259/RoHS.
 - ALL MATERIAL MUST BE HALOGEN FREE.
 - 4-39PIN 0.10MAX; 40-60PIN 0.12MAX.
 - TERMINAL PLATING:
SURFACE PLATING: Au 0.05um MIN.
ONLY IN THE CONTACT AREA AND THE SOLDER AREA.

5.PART NO. LEGEND:
F320-1A7D1-120**
NO. OF POSITIONS



APPLICABLE FPC/FFC DIMENSION
THICKNESS:T=0.30±0.05

	FPC	FFC
M	0.5±0.05	0.5±0.05
P	0.5±0.03	0.5±0.03
B	B±0.05	B±0.05
W	W±0.07	W±0.07
Wp	0.35±0.03	0.30±0.05

NO. OF POS.	A	B	C	D	NO. OF POS.	A	B	C	D
4	8.00	6.80	1.50	2.58	33	22.50	21.30	16.00	17.08
5	8.50	7.30	2.00	3.08	34	23.00	21.80	16.50	17.58
6	9.00	7.80	2.50	3.58	35	23.50	22.30	17.00	18.08
7	9.50	8.30	3.00	4.08	36	24.00	22.80	17.50	18.58
8	10.00	8.80	3.50	4.58	37	24.50	23.30	18.00	19.08
9	10.50	9.30	4.00	5.08	38	25.00	23.80	18.50	19.58
10	11.00	9.80	4.50	5.58	39	25.50	24.30	19.00	20.08
11	11.50	10.30	5.00	6.08	40	26.00	24.80	19.50	20.58
12	12.00	10.80	5.50	6.58	41	26.50	25.30	20.00	21.08
13	12.50	11.30	6.00	7.08	42	27.00	25.80	20.50	21.58
14	13.00	11.80	6.50	7.58	43	27.50	26.30	21.00	22.08
15	13.50	12.30	7.00	8.08	44	28.00	26.80	21.50	22.58
16	14.00	12.80	7.50	8.58	45	28.50	27.30	22.00	23.08
17	14.50	13.30	8.00	9.08	46	29.00	27.80	22.50	23.58
18	15.00	13.80	8.50	9.58	47	29.50	28.30	23.00	24.08
19	15.50	14.30	9.00	10.08	48	30.00	28.80	23.50	24.58
20	16.00	14.80	9.50	10.58	49	30.50	29.30	24.00	25.08
21	16.50	15.30	10.00	11.08	50	31.00	29.80	24.50	25.58
22	17.00	15.80	10.50	11.58	51	31.50	30.30	25.00	26.08
23	17.50	16.30	11.00	12.08	52	32.00	30.80	25.50	26.58
24	18.00	16.80	11.50	12.58	53	32.50	31.30	26.00	27.08
25	18.50	17.30	12.00	13.08	54	33.00	31.80	26.50	27.58
26	19.00	17.80	12.50	13.58	55	33.50	32.30	27.00	28.08
27	19.50	18.30	13.00	14.08	56	34.00	32.80	27.50	28.58
28	20.00	18.80	13.50	14.58	57	34.50	33.30	28.00	29.08
29	20.50	19.30	14.00	15.08	58	35.00	33.80	28.50	29.58
30	21.00	19.80	14.50	15.58	59	35.50	34.30	29.00	30.08
31	21.50	20.30	15.00	16.08	60	36.00	34.80	29.50	30.58
32	22.00	20.80	15.50	16.58					

RECOMMEND PCB LAYOUT SIZE

△	DATE	ECR					PART NAME: FPC/FFC PH0.50 H1.20mm CONN. ZIF R/A BOTTOM CONTACT SMT				S/C NO		TOLERANCE:	
△							PART NUMBER: F321-1A7H1-120**						X. ±0.50 X.* ±4'	
△			APPROVAL	CHECKED	DRAWING	DRAWING NO	DATE	REV	SCALE	UNIT	NO.		.XX ±0.20	
△			LILY	Roy	Andy	A-S0106	111029	A	/	mm	1/1		.XXX ±0.10	