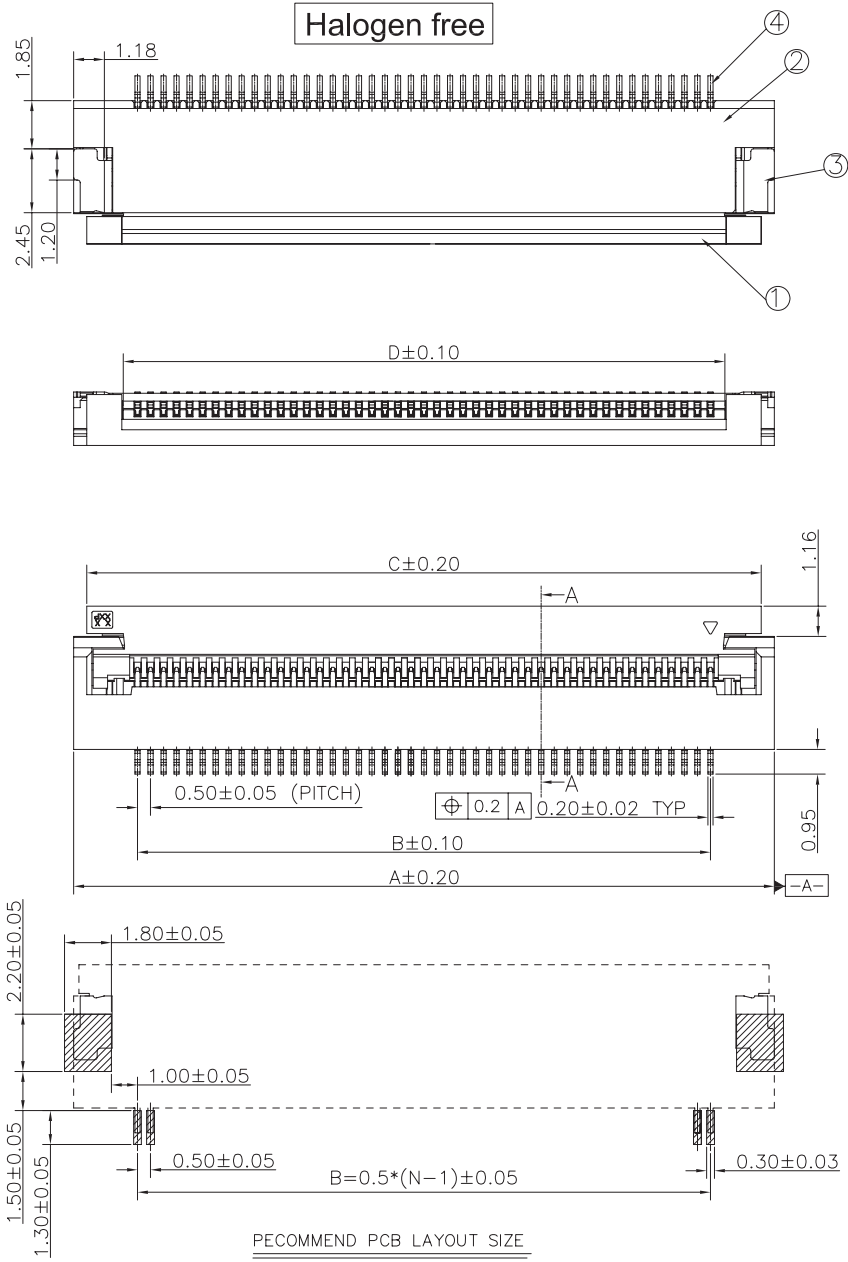
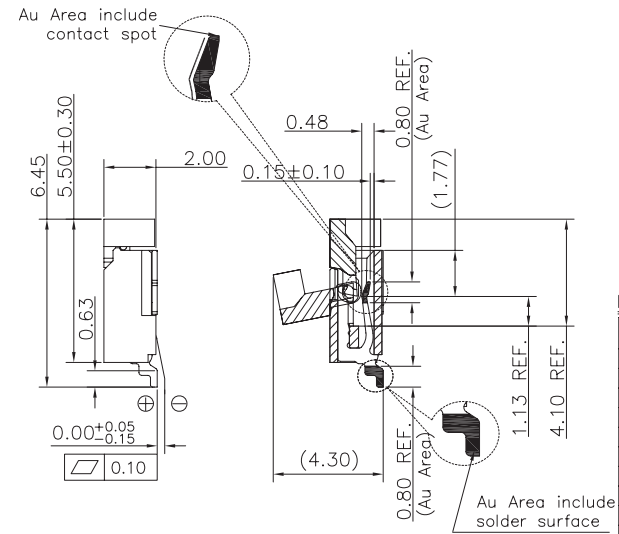


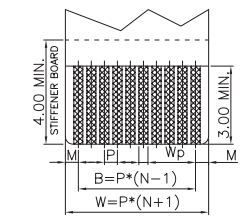
Halogen free



RECOMMEND PCB LAYOUT SIZE



SECTION A-A
SCALE 2:1



APPLICABLE FPC/FFC DIMENSION
THICKNESS: T=0.30±0.05

	FPC	FFC
M	0.5±0.05	0.5±0.05
P	0.5±0.03	0.5±0.03
B	B±0.05	B±0.05
W	W±0.07	W±0.07
Wp	0.35±0.03	0.30±0.05

NO.	COMPONENTS	MATERIALS	SPECIFICATION:FINISH/COLOR	QTY.
1	SLIDER	GLASS FILLED PA9T, UL94V-0	BLACK	1
2	HOUSING	GLASS FILLED LCP, UL94V-0	BLACK OR NATURAL	1
3	ANCHOR-PLATE	BRASS, T=0.20mm	SURFACE PLATING:2~5 μm Sn UNDER PLATING:1~3 μm Ni	2
4	CONTACT	PHOSPHOR BRONZE, T=0.20mm	SURFACE PLATING:0.05 μm Au UNDER PLATING:1~3 μm Ni	N

NOTE:
1.ALL MATERIAL MUST BE COMPLY WITH GGP-001/SS-00259/RoHS.
2.PART NO. LEGEND:
F326-1A7H1-210**

NO. OF POSITIONS
7H:PHOSPHOR BRONZE
0.05um MIN Au(Au Area)
7A:PHOSPHOR BRONZE
MATTER TIN
1A:LCP NATURAL
1B:LCP BLACK

DIMENSION LIST:

NO. OF POS.	A	B	C	D	NO. OF POS.	A	B	C	D
4	6.40	1.50	5.40	2.60	33	20.90	16.00	19.90	17.10
5	6.90	2.00	5.90	3.10	34	21.40	16.50	20.40	17.60
6	7.40	2.50	6.40	3.60	35	21.90	17.00	20.90	18.10
7	7.90	3.00	6.90	4.10	36	22.40	17.50	21.40	18.60
8	8.40	3.50	7.40	4.60	37	22.90	18.00	21.90	19.10
9	8.90	4.00	7.90	5.10	38	23.40	18.50	22.40	19.60
10	9.40	4.50	8.40	5.60	39	23.90	19.00	22.90	20.10
11	9.80	5.00	8.90	6.10	40	24.40	19.50	23.40	20.60
12	10.40	5.50	9.40	6.60	41	24.90	20.00	23.90	21.10
13	10.90	6.00	9.90	7.10	42	25.40	20.50	24.40	21.60
14	11.40	6.50	10.40	7.60	43	25.90	21.00	24.90	22.10
15	11.90	7.00	10.90	8.10	44	26.40	21.50	25.40	22.60
16	12.40	7.50	11.40	8.60	45	26.90	22.00	25.90	23.10
17	12.90	8.00	11.90	9.10	46	27.40	22.50	26.40	23.60
18	13.40	8.50	12.40	9.60	47	27.90	23.00	26.90	24.10
19	13.90	9.00	12.90	10.10	48	28.40	23.50	27.40	24.60
20	14.40	9.50	13.40	10.60	49	28.90	24.00	27.90	25.10
21	14.90	10.00	13.90	11.10	50	29.40	24.50	28.40	25.60
22	15.40	10.50	14.40	11.60	51	29.90	25.00	28.90	26.10
23	15.90	11.00	14.90	12.10	52	30.40	25.50	29.40	26.60
24	16.40	11.50	15.40	12.60	53	30.90	26.00	29.90	27.10
25	16.90	12.00	15.90	13.10	54	31.40	26.50	30.40	27.60
26	17.40	12.50	16.40	13.60	55	31.90	27.00	30.90	28.10
27	17.90	13.00	16.90	14.10	56	32.40	27.50	31.40	28.60
28	18.40	13.50	17.40	14.60	57	32.90	28.00	31.90	29.10
29	18.90	14.00	17.90	15.10	58	33.40	28.50	32.40	29.60
30	19.40	14.50	18.40	15.60	59	33.90	29.00	32.90	30.10
31	19.90	15.00	18.90	16.10	60	34.40	29.50	33.40	30.60
32	20.40	15.50	19.40	16.60					

△	DATE	ECR
△		
△		
△		
△		

CHAMPWAY 冠泰電子有限公司
CHAMPWAY ELECTRONICS CO., LTD.

APPROVAL	CHECKED	DRAWING	DRAWING NO
Roy	Zhengxian.ye	Henry	A-S0011

PART NAME: FPC/FFC PH0.50 H2.00mm CONN.
ZIF R/A FLIP SMT

PART NUMBER: F326-**7H1-210**

DATE	REV	SCALE	UNIT	NO.
121106	A	N/A	mm	1/1

S/C NO	TOLERANCE:	
	X. ±0.50	X.* ±4°
	.X ±0.30	.X* ±3°
	.XX ±0.20	
	.XXX ±0.10	

