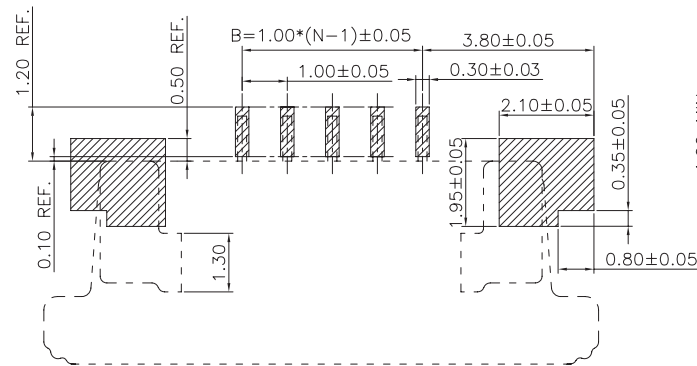
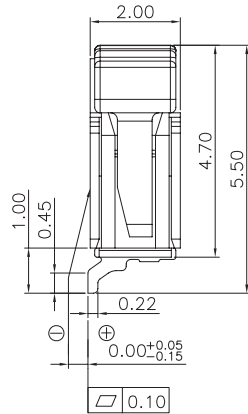
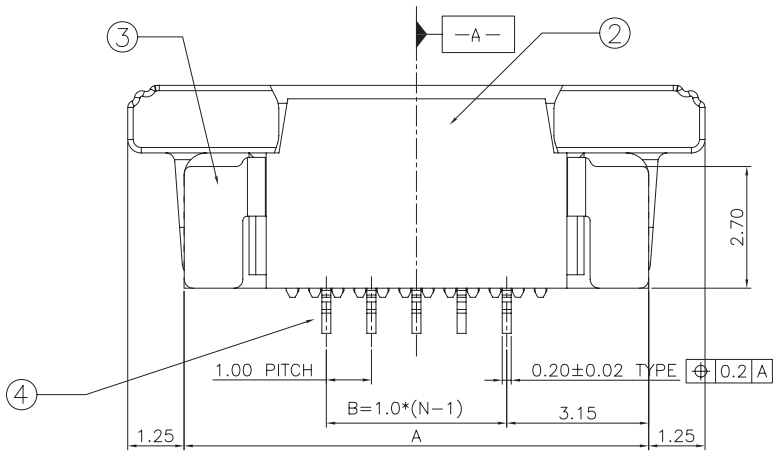
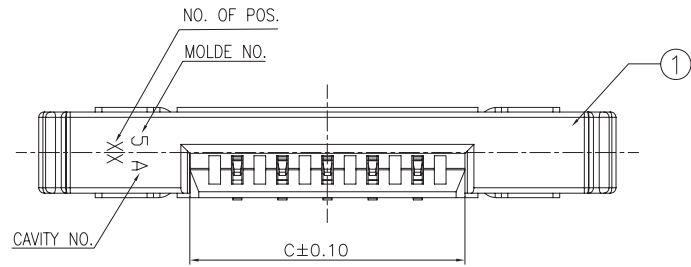
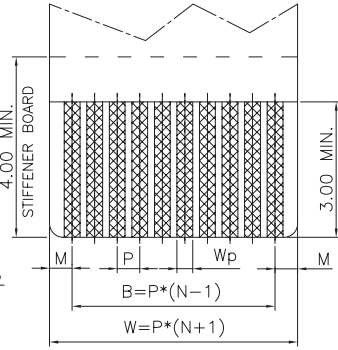


NO.	COMPONENTS	MATERIALS	SPECIFICATION:FINISH/COLOR	QTY.
1	SLIDER	GLASS FILLED PA9T, UL94V-0	BLACK	1
2	HOUSING	GLASS FILLED LCP, UL94V-0	NATURAL	1
3	ANCHOR-PLATE	BRASS, T=0.20mm	SURFACE PLATING:2~5 um Sn UNDER PLATING:1~3 um Ni	2
4	CONTACT	PHOSPHOR BRONZE, T=0.20mm	SURFACE PLATING:SEE "NOTE" UNDER PLATING:1~3 um Ni	N



P.C.B LAYOUT(REFERENCE)



APPLICABLE FPC/FFC DIMENSION

THICKNESS:T=0.30±0.05

NOTE:
1.ALL MATERIAL MUST BE COMPLY WITH GGP-001/SS-00259/RoHS.
2.PART NO. LEGEND:
F513-1A**1-110**

NO. OF POSITIONS
7H:PHOSPHOR BRONZE 0.05um MIN Au(Au Area)
7A:PHOSPHOR BRONZE 2~5um Sn
1A:LCP NATURAL

DIMENSION LIST:

NO. OF POS.	A	B	C
4	9.30	3.00	5.10
5	10.30	4.00	6.10
6	11.30	5.00	7.10
7	12.30	6.00	8.10
8	13.30	7.00	9.10
9	14.30	8.00	10.10
10	15.30	9.00	11.10
11	16.30	10.00	12.10
12	17.30	11.00	13.10
13	18.30	12.00	14.10
14	19.30	13.00	15.10
15	20.30	14.00	16.10
16	21.30	15.00	17.10
17	22.30	16.00	18.10
18	23.30	17.00	19.10
19	24.30	18.00	20.10
20	25.30	19.00	21.10
21	26.30	20.00	22.10
22	27.30	21.00	23.10
23	28.30	22.00	24.10
24	29.30	23.00	25.10
25	30.30	24.00	26.10
26	31.30	25.00	27.10
27	32.30	26.00	28.10
28	33.30	27.00	29.10
29	34.30	28.00	30.10
30	35.30	29.00	31.10
31	36.30	30.00	32.10
32	37.30	31.00	33.10
33	38.30	32.00	34.10
34	39.30	33.00	35.10

	FPC	FFC
M	0.5±0.05	0.5±0.05
P	0.5±0.03	0.5±0.03
B	B±0.05	B±0.05
W	W±0.07	W±0.07
Wp	0.35±0.03	0.30±0.05

△	DATE	ECR	冠泰电子有限公司 CHAMPWAY ELECTRONICS CO., LTD.				PART NAME: FPC/FFC PH1.00 H2.00mm CONN. ZIF R/A BOTTOM CONTACT TYPE SMT				S/C NO		TOLERANCE:	
△							PART NUMBER: F513-1A**1-110**						X. ±0.50 .X* ±4*	
△			APPROVAL	CHECKED	DRAWING	DRAWING NO	DATE	REV	SCALE	UNIT	NO.	.XX ±0.20		
△			Roy	Zhengxian.ye	Henry	A-S0015	121227	A	N/A	mm	1/1	.XXX ±0.10		