

| NO. | COMPONENTS | MATERIALS | FINISH/COLOR SPECIFICATION | QUANTITY |
|-----|------------|------------------------------|---|----------|
| 1 | Housing | LCP,UJ94V-0 | Natural | 1 |
| 2 | Contact | PHOSPHOR BRONZE, T=0.25mm | Surface Plating:See "Note" Under Plating:1~3μm Ni. | N |
| 3 | Mylar | T=0.10mm THERMOSTABLE | Yellow | 1 |

NOTE:

1.ALL MATERIAL MUST BE COMPLY WITH
SS-00259 OR RoHS.

2.PART NO. LEGEND:

F517-1A7*1-110**

NO. OF POSITIONS

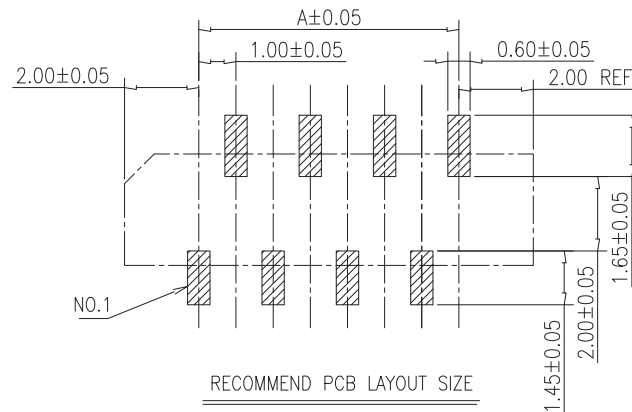
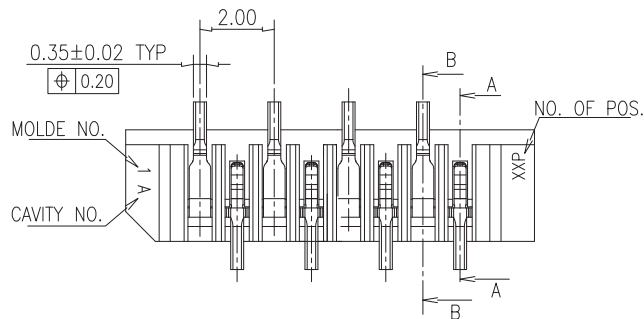
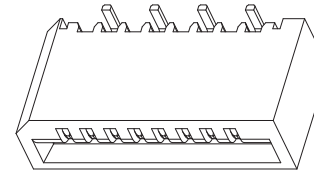
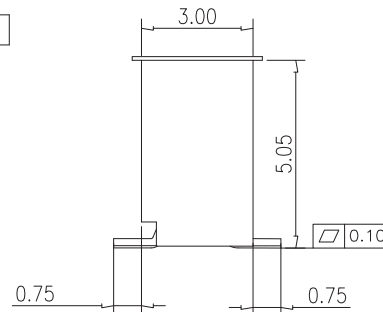
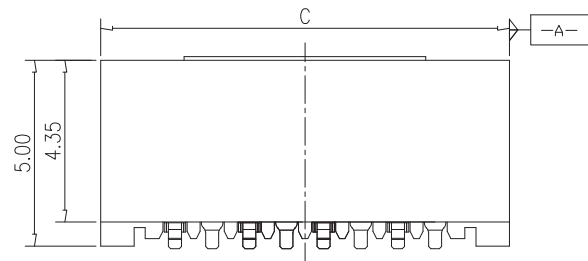
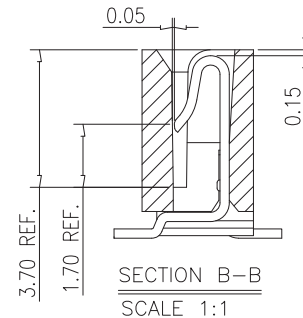
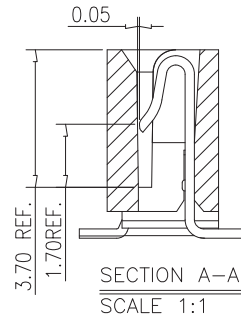
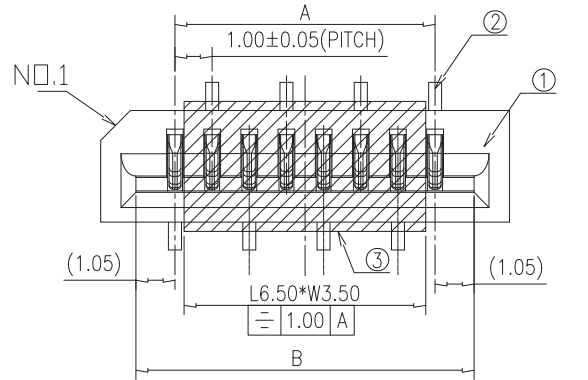
7A:PHOSPHOR BRONZE MATTER TIN

7H:PHOSPHOR BRONZE 0.05 m Au MIN

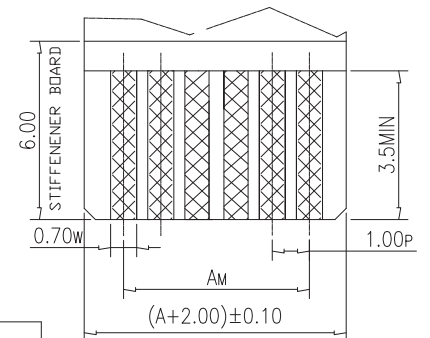
1A:LCP NATURAL

DIMENSION LIST:

| NO.OF POS | A | B | C | NO.OF POS | A | B | C |
|-----------|-------|-------|-------|-----------|-------|-------|-------|
| 3 | 2.00 | 4.10 | 6.00 | 17 | 16.00 | 18.10 | 20.00 |
| 4 | 3.00 | 5.10 | 7.00 | 18 | 17.00 | 19.10 | 21.00 |
| 5 | 4.00 | 6.10 | 8.00 | 19 | 18.00 | 20.10 | 22.00 |
| 6 | 5.00 | 7.10 | 9.00 | 20 | 19.00 | 21.10 | 23.00 |
| 7 | 6.00 | 8.10 | 10.00 | 21 | 20.00 | 22.10 | 24.00 |
| 8 | 7.00 | 9.10 | 11.00 | 22 | 21.00 | 23.10 | 25.00 |
| 9 | 8.00 | 10.10 | 12.00 | 23 | 22.00 | 24.10 | 26.00 |
| 10 | 9.00 | 11.10 | 13.00 | 24 | 23.00 | 25.10 | 27.00 |
| 11 | 10.00 | 12.10 | 14.00 | 25 | 24.00 | 26.10 | 28.00 |
| 12 | 11.00 | 13.10 | 15.00 | 26 | 25.00 | 27.10 | 29.00 |
| 13 | 12.00 | 14.10 | 16.00 | 27 | 26.00 | 28.10 | 30.00 |
| 14 | 13.00 | 15.10 | 17.00 | 28 | 27.00 | 29.10 | 31.00 |
| 15 | 14.00 | 16.10 | 18.00 | 29 | 28.00 | 30.10 | 32.00 |
| 16 | 15.00 | 17.10 | 19.00 | 30 | 29.00 | 31.10 | 33.00 |



| KIND | TOLERANCE | | |
|------|-----------|----------------|-------|
| | P | W | M |
| FPC | ±0.02 | +0.10 -0.05 | ±0.05 |
| FFC | ±0.05 | ±0.03 | ±0.10 |



APPLICABLE FPC/FFC DIMENSION

THICKNESS:T=0.30±0.05

| | | | | | | | | | | | | | | |
|---|------|-----|---|--------------|---------|------------|--|-----|-------|------|--------|---|------------|--|
| △ | DATE | ECR |  冠泰電子有限公司 CHAMPWAY ELECTRONICS CO., LTD. | | | | PART NAME: FPC/FFC PH1.00 H5.00mm CONN. NON-ZIF VERTICAL A TYPE SMT | | | | S/C NO | TOLERANCE: | | |
| △ | | | | | | | PART NUMBER: F517-1A7*1-110** | | | | | X. ±0.50 | X.° ±4° | |
| △ | | | | | | | | | | | | .X ±0.30 | .X ±3° | |
| △ | | | APPROVAL | CHECKED | DRAWING | DRAWING NO | DATE | REV | SCALE | UNIT | NO. |  | .XX ±0.20 | |
| △ | | | Roy | Zhengxian.ye | Henry | A-S0047 | 120803 | A | N/A | mm | 1/1 | | .XXX ±0.10 | |