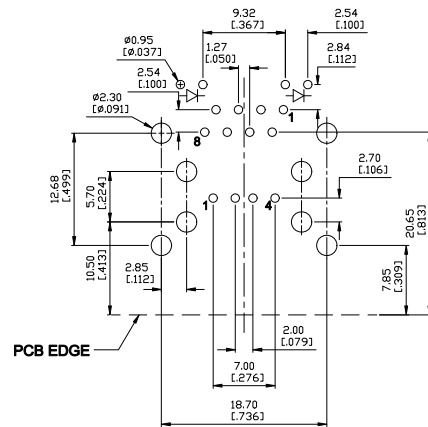
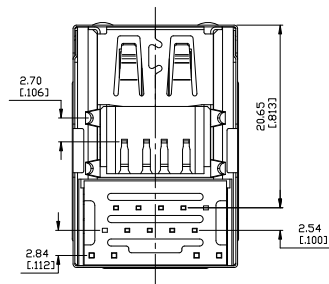
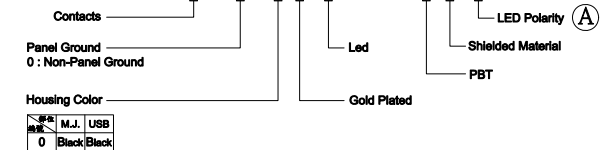


Electrical Characteristics :  
 Insulation Resistance : 500MΩ Min.  
 Contact Resistance : 50mΩ Max.  
 Withstand Voltage : 1000 VAC 1 minute.  
 Current Rating : 1.5A

Material:  
 Housing : Thermoplastic UL94V-0  
 Contact : 0.35mm Thickness Selective Gold Plating  
 Terminal: 0.35mm Thickness Phosphor Bronze  
 Plated With Gold And Tin In Solder Area.  
 Shield : See Shield Material Table.  
 Shield Cover : See Shield Material Table.

PART NO : S U A J - 2 8 B 0 - 0 \* \* - 0 0 - B \* \*



**LED Polarity Table**  
 (Applicable only for single-colored LED)

解位編號	LED 2 (Left)	LED 1 (Right)
0		
1		
2		

**Gold Plated**

解位編號	M.J.	USB
0	3u"	1.1
1	6u"	
2	15u"	
3	30u"	
4	50u"	2.0
5	3u"	
6	6u"	
7	15u"	
8	30u"	
9	50u"	

**LED Color Options Table**

LED Color Options		LED DASH OPTION
LED 2 (Left)	LED 1 (Right)	
No LED	No LED	0
Yellow	Green	1
No LED	Green	2
Yellow	No LED	3
Green	Yellow	4
Green	Green	5
Yellow	Yellow	6
Orange/Green	Orange/Green	7
Yellow/Green	Yellow/Green	8
Orange/Green	Yellow	9

**Shield Material Table**

Code	Shield Material	Shield Plating	Shield Cover Material	Shield Plating
0	SUS	Non	Brass	Nickel
1	Tinplate		Tinplate	
2	SUS	Non	Tinplate	

**SUGGESTED PCB LAYOUT TOP VIEW**

**CHAMPWAY** 冠泰電子有限公司  
 CHAMPWAY ELECTRONICS CO., LTD.

ZONE	REV.	DESCRIPTION	DATE	APPD.	FILE NO : SUAJ (SERIES)	TITLE	RJ45 / DUAL USB Combo		UNIT	mm	
(A)	A.1	Withstand Voltage 500修改為1000VAC	2008-08-01	Nick	TOLERANCE(公差): 0.000 mm ± 0.075 mm 0.00 mm ± 0.15 mm 0.0 mm ± 0.25 mm	圖名			單位	inch	
(B)						PART NO.	SUAJ-28B0-0** -00-B**		SCALE	1:1	
(C)						REV.	A.1	DATE	2008-03-20		
(D)						版本		日期			
(E)						CHECKED BY	Aaron		DRAWN BY	Michael	
						審核			製圖		