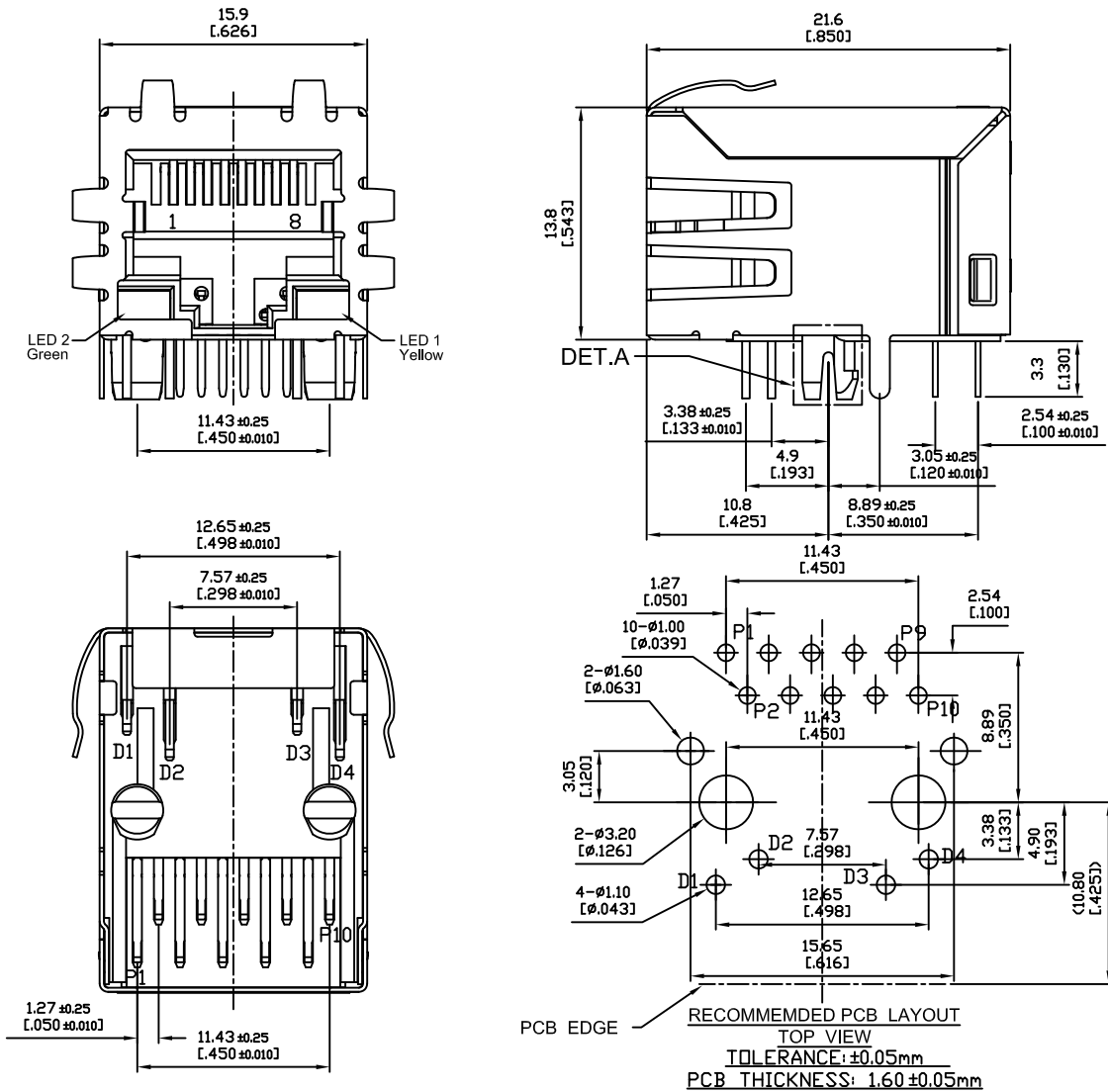
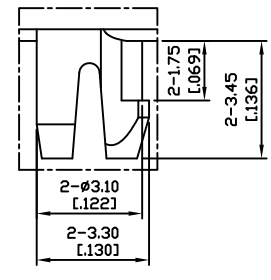
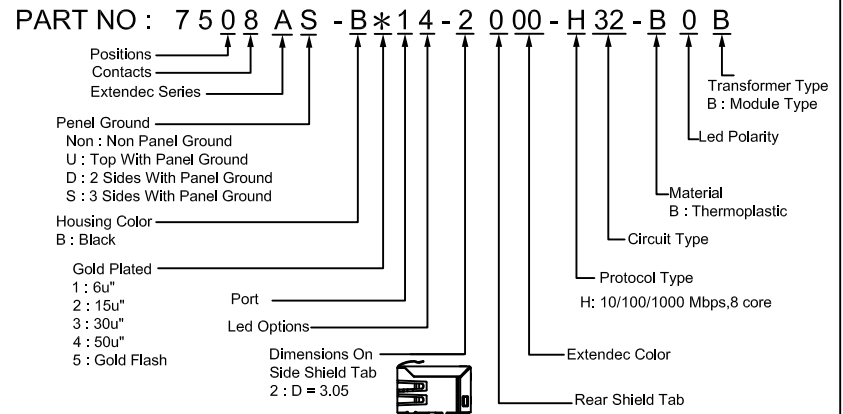


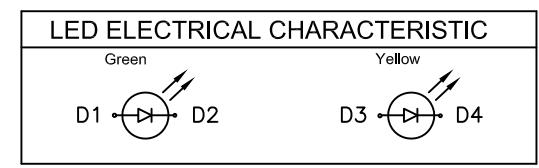
1. MECHANICAL DIMENSIONS:



- Note:
- 1.Housing: Thermoplastic UL 94V-0
 - 2.Contact : Selective Gold Plating
 - 3.Terminal: 0.35mm Thickness Copper Alloy Plated With Gold And Tin In Solder Area.
 - 4.Shielded:Copper Alloy,Nickel Plating
 - 5.Operating Temperature Range : 0°C~70°C



DET.A
SCALE 2:1

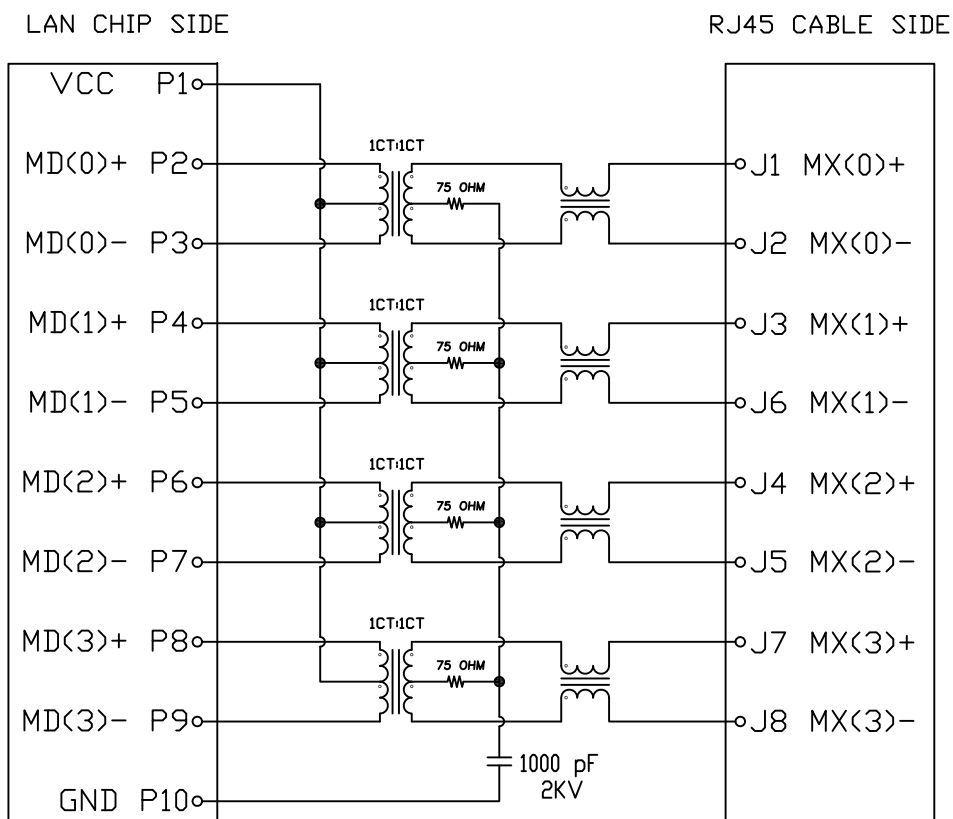


CHAMPWAY 冠泰電子有限公司
CHAMPWAY ELECTRONICS CO., LTD.

TITLE 圖名	RJ45 Connector,Shielded, With Led With Transformer, 1000 Mbps Filter		UNIT 單位	mm inch
PART NO. 料號	7508AS-B*14-2000-H32-B0B		SCALE 比例	1:1
REV. 版本	A.0	DATE 日期	2014-02-19	
CHECKED BY 審核	Jay		DRAWN BY 製圖	Sword

ZONE	REV.	DESCRIPTION	DATE	DWG	FILE NO : 75 (SERIES)
					TOLERANCE(公差): 0.000 mm ± 0.075 mm 0.00 mm ± 0.15 mm 0.0 mm ± 0.25 mm

2. SCHEMATIC:



3. ELECTRICAL CHARACTERISTICS :

Test Notes:(25±5°C)

1.TR:(100KHz,0.1V);

Pins:(P2,P3):(J1,J2)=1:1±3%:(P4,P5):(J3,J6)=1:1±3%

Pins:(P6,P7):(J4,J5)=1:1±3%:(P8,P9):(J7,J8)=1:1±3%

2.LX:(100KHz,100mV,8mA, DC Bias)

Pins:(P2,P3),(P4,P5),(P6,P7),(P8,P9)=350uH Minimum

3.DCR:

Pins:(J1-J2),(J3-J6),(J4,J5),(J7,J8)=1.2 Ω Maximum

4.HIPOT:

Pins:(P2,P3)To(J1,J2),(P4,P5)To(J3,J6)=1500VAC 60s or 2250VDC 60s

Pins:(P6,P7)To(J4,J5),(P8,P9)To(J7,J8)=1500VAC 60s or 2250VDC 60s

5.INSERTION LOSS:

-0.8dB Maximum At 0.3MHz To 100MHz;

-1.2dB Maximum At 100MHz To 120MHz

6.RETURN LOSS:

-18dB Minimum At 0.5MHz To 40MHz;

-12+20Log(f/80MHz)dB Minimum At 40MHz To 100MHz

7.CROSS TALK:

-33+20Log(f/100MHz)dB Minimum At 0.1MHz To 100MHz

8.COMMON TO DIFFERENTIAL MODE REJECTION:

-35dB Minimum At 300KHz To 100MHz

9.COMMON TO COMMON MODE REJECTION:

-30dB Minimum At 300KHz To 100MHz



CHAMPWAY 冠泰電子有限公司
CHAMPWAY ELECTRONICS CO., LTD.

ZONE	REV.	DESCRIPTION	DATE	DWG	FILE NO : 75 (SERIES)	TITLE 圖名	RJ45 Connector,Shielded, With Led With Transformer, 1000 Mbps Filter	UNIT 單位	mm inch
					TOLERANCE(公差): 0.000 mm ± 0.075 mm 0.00 mm ± 0.15 mm 0.0 mm ± 0.25 mm	PART NO. 料號	7508AS-B * 14-2000-H32-B0B	SCALE 比例	1:1
						REV. 版本	A.0	DATE 日期	2014-02-19
						CHECKED BY 審核	Jay	DRAWN BY 製圖	Sword