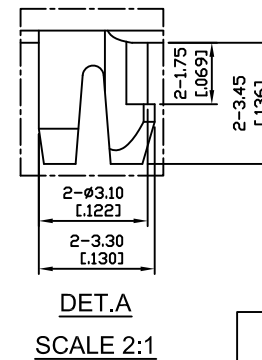
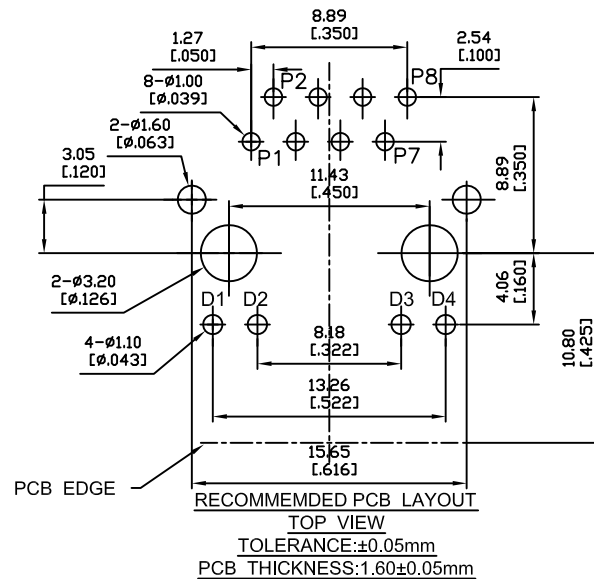
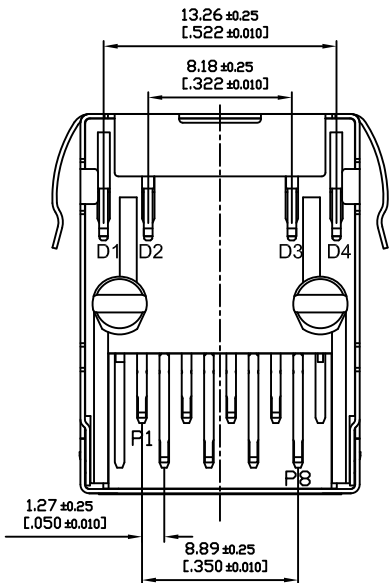
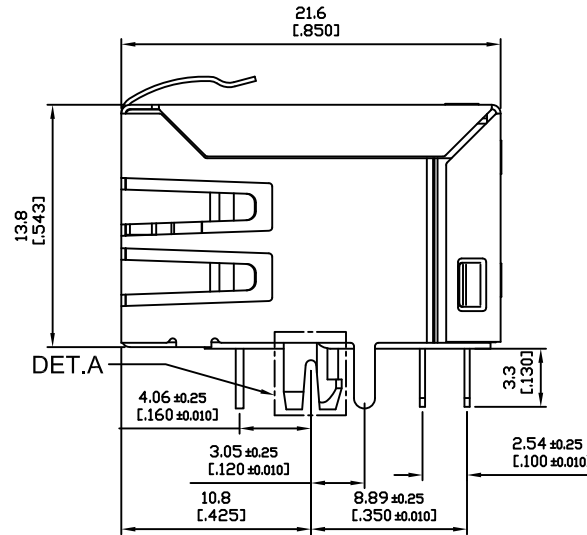
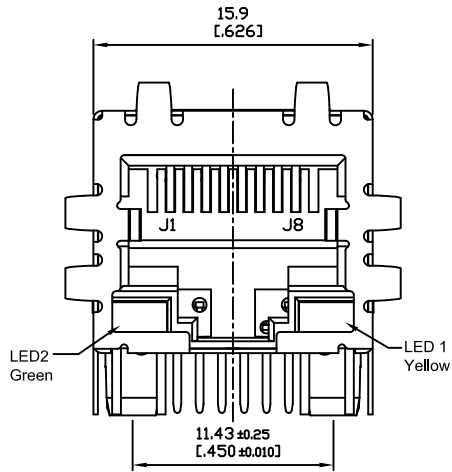
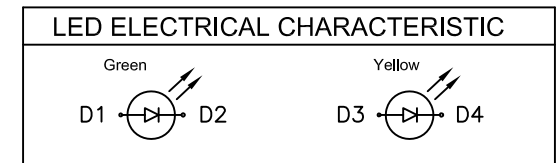
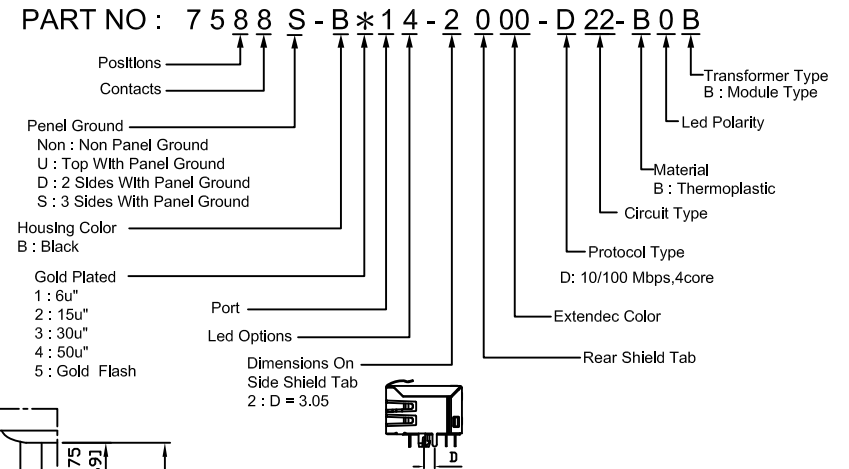


1. MECHANICAL DIMENSIONS:



Note:

- 1.Housing: Thermoplastic UL 94V-0
- 2.Contact : Selective Gold Plating
- 3.Terminal: 0.35mm Thickness Copper Alloy Plated With Gold And Tin In Solder Area.
- 4.Shielded: Copper Alloy ,Nickel Plating
- 5.Operating Temperature Range : 0°C~70°C



CHAMPWAY 冠泰電子有限公司
CHAMPWAY ELECTRONICS CO., LTD.

ZONE	REV.	DESCRIPTION	DATE	DWG	FILE NO : 75 (SERIES)	TITLE 圖名	RJ45 Connector,Shielded, With Led With Transformer, 10/100 Mbps Filter	UNIT 單位	mm inch
						PART NO. 料號	7588S-B * 14-2000-D22-B0B	SCALE 比例	1 : 1
						REV. 版本	A.0	DATE 日期	2014-02-19
						CHECKED BY 審核	Jay	DRAWN BY 製圖	Sword
						TOLERANCE(公差): 0.00 mm ± 0.075 mm 0.00 mm ± 0.15 mm 0.0 mm ± 0.25 mm			

