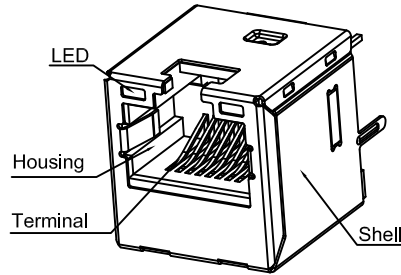
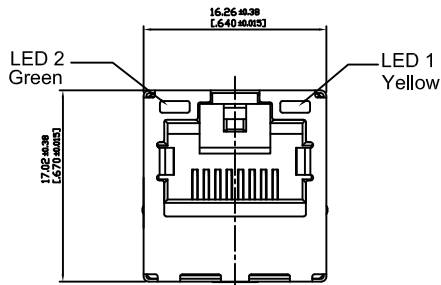
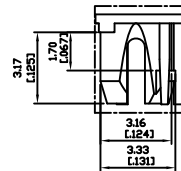
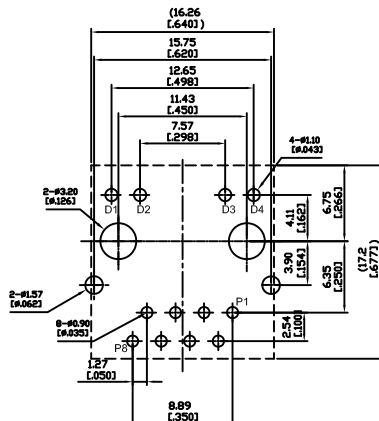
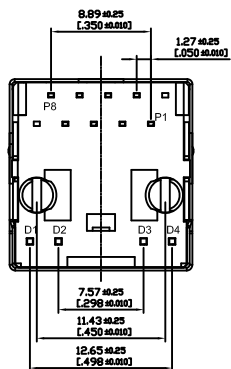
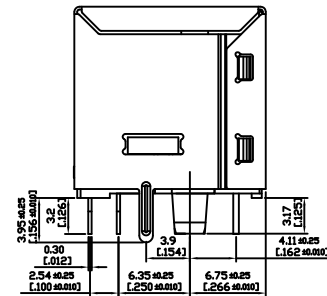
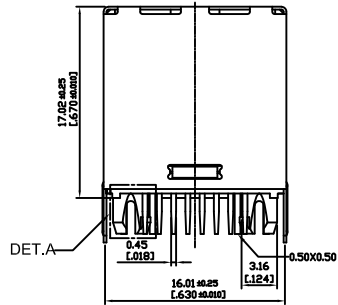
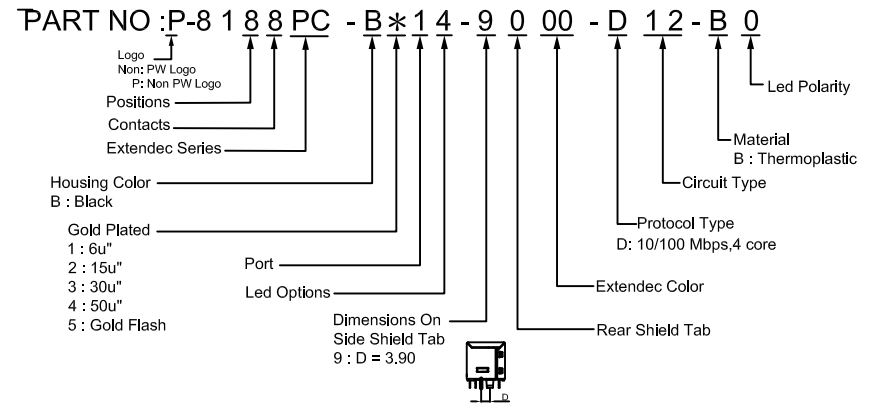


1. MECHANICAL DIMENSIONS:

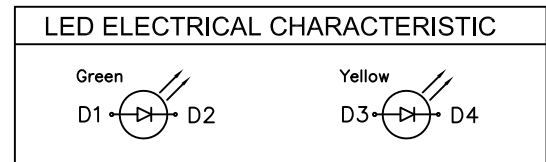


Note:

- 1.Housing: Thermoplastic UL 94V-0
- 2.Contact : Selective Gold Plating
- 3.Terminal: 0.25mm Thickness Copper Alloy Plated With Gold And Tin In Solder Area.
- 4.Shielded: Copper Alloy,Nickel Plating
- 5.Operating Temperature Range : 0°C~70°C



DET.A
SCALE 2:1



CHAMPWAY 冠泰電子有限公司
CHAMPWAY ELECTRONICS CO., LTD.

ZONE	REV.	DESCRIPTION	DATE	DWG	FILE NO : 81PC (SERIES)	TITLE 圖名	RJ45 Connector,Shielded, With Led With Transformer, 10/100 Mbps Filter	UNIT 單位	mm inch
					TOLERANCE (公差) : 0.000 mm ± 0.075mm 0.00 mm ± 0.15mm 0.0 mm ± 0.25mm	PART NO. 料號	P-8188PC-B * 14-9000-D12-B0	SCALE 比例	1 : 1
				REV. 版本		A.0	DATE 日期	2014-02-19	
				CHECKED BY 審核		Jay	DRAWN BY 製圖	Sword	

