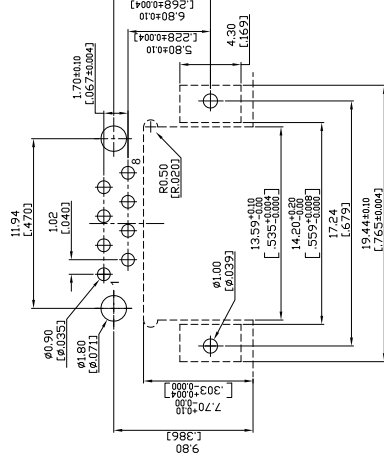
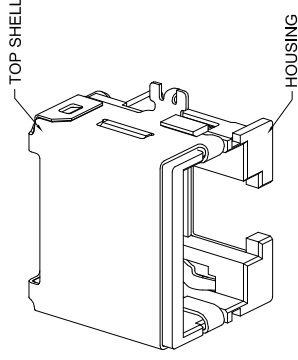
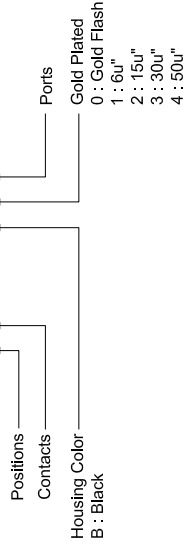


1. Electrical Characteristics :

- 1.1 Insulation Resistance : 500MΩ Min.
 - 1.2 Contact Resistance : 50mΩ Max.
 - 1.3 Withstand Voltage : 1000 VAC 1 minute.
 - 1.4 Current Rating : 1.5A
2. Material:
- 2.1 Housing : Thermoplastic UL94V-0
 - 2.2 Terminal: 0.30mm Thickness Phosphor Bronze, Gold plated on the soldering area.
 - 2.3 Top Shell: Brass, nickel plated on the all area.
 - 2.4 Bottom Shell: SUS ,nickel plated on the all area.

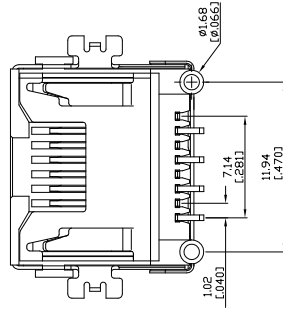
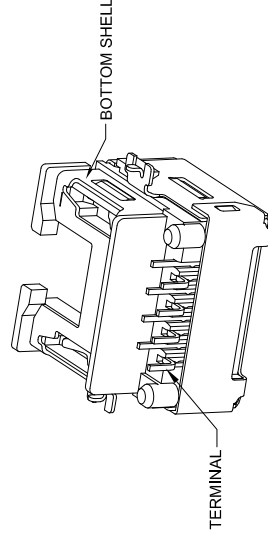
PART NO : 8 1 8 8 K 3 - B * 1 0



RECOMMENDED PCB LAYOUT

TOP VIEW

RECOMMENDED PCB THICKNESS: 1.20±0.05mm



CHAMPWAY 冠泰電子有限公司
CHAMPWAY ELECTRONICS CO., LTD.

ZONE	REV.	DESCRIPTION	DATE	APPD.	TITLE 圖名	RJ45, 8P8C, Shielded, Offset Type, Thru Hole, RJ11 Mateproof Function	UNIT 單位	mm inch
(A)					FILE NO : 81 (SERIES)			
(B)					TOLERANCE(公差) :			
(C)					0.000 mm ± 0.075 mm			
(D)					0.00 mm ± 0.15 mm			
(E)					0.0 mm ± 0.25 mm			
					PART NO. 料號	8188K3-B * 10	SCALE 比例	1 : 1
					REV. 版本	A.0	DATE 日期	2010-03-15
					CHECKED BY 審核	Chindge	DRAWN BY 製圖	Sam