

NOTE

1. RATING : DC 12V 50mA
2. CONTACT RESISTANCE : 100mΩ MAX
3. GENERAL TOLERANCE : +/- 0.3 mm
4. MANUFACTURING SPECIFICATION
WOULD BE ACCORDANCE WITH WT0158
5. PART NO.(P/N.):

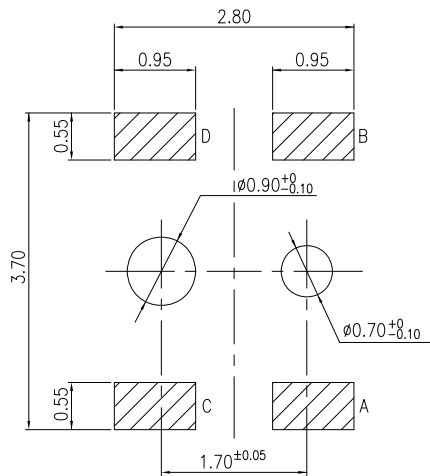
ES100VM P - 033 R - R

3.5x3.5x3.35
VERTICAL

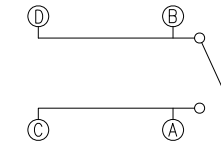
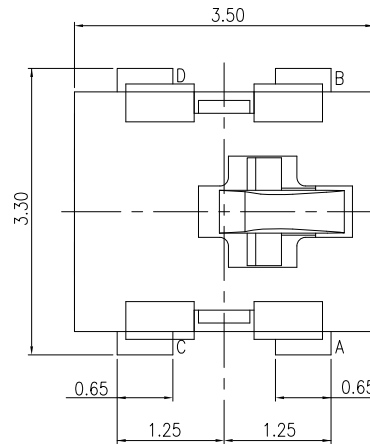
P=WITH BOSS

PACKING
R=REEL

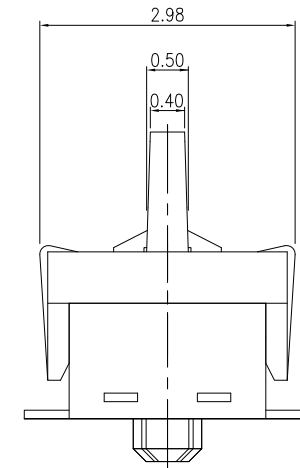
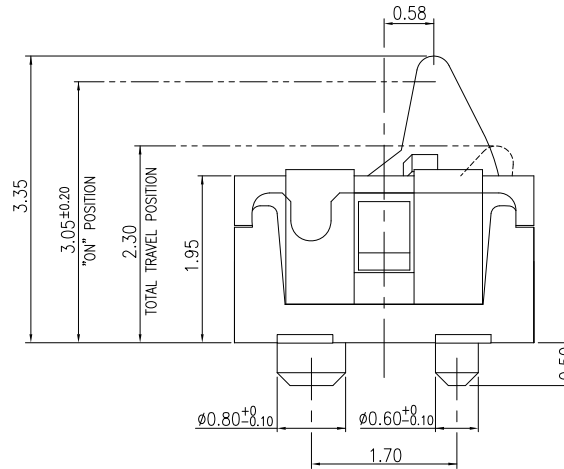
DIMENSION "H"
033=3.35mm



P.C.B LAND DIMENSION



CIRCUIT DIAGRAM



RevNo	Revision note	Date	Signature

Designed by	L.Y.D		 冠泰電子有限公司 CHAMPWAY ELECTRONICS CO., LTD.				
Checked by							
Approved by		Unit	mm	Scale	1/1	Date	2011.10.14
Item	Detector Switch	Tool	A-Cad	Sheet	1/1	Rev.	0
Model	3.5x3.5x3.35 VERTICAL SMD	Drawing name		ES100VMP- 033 R-R			