

**NOTE**

1. RATING : DC 12V 50mA
2. CONTACT RESISTANCE : 100mΩ MAX
3. GENERAL TOLERANCE : +/- 0.3 mm
4. MANUFACTURING SPECIFICATION  
WOULD BE ACCORDANCE WITH WT0158
5. PART NO.(P/N.):

ES101VM P - 025 R - R

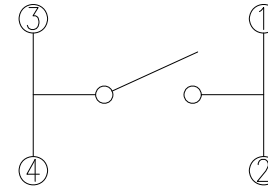
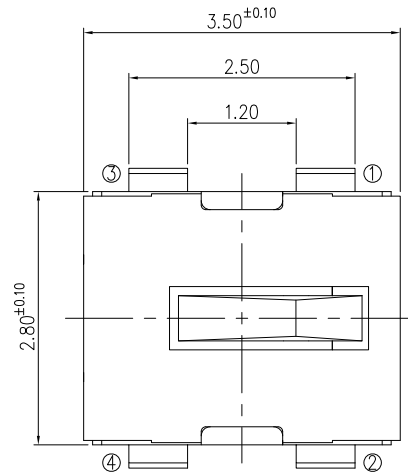
2.8x3.5x2.53  
VERTICAL

P=WITH BOSS

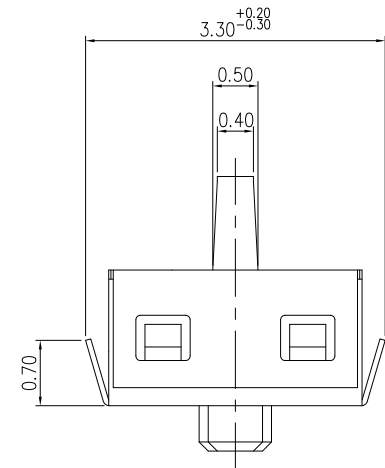
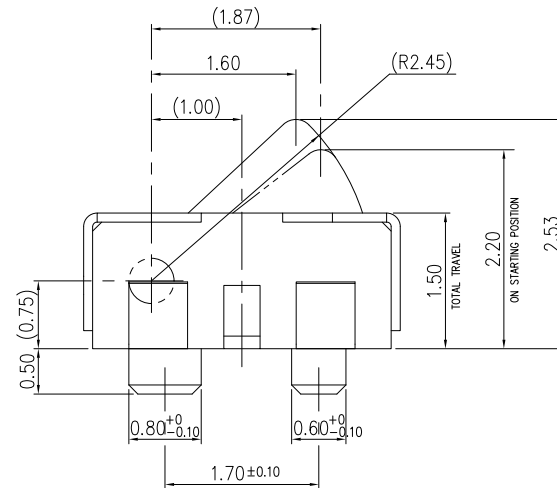
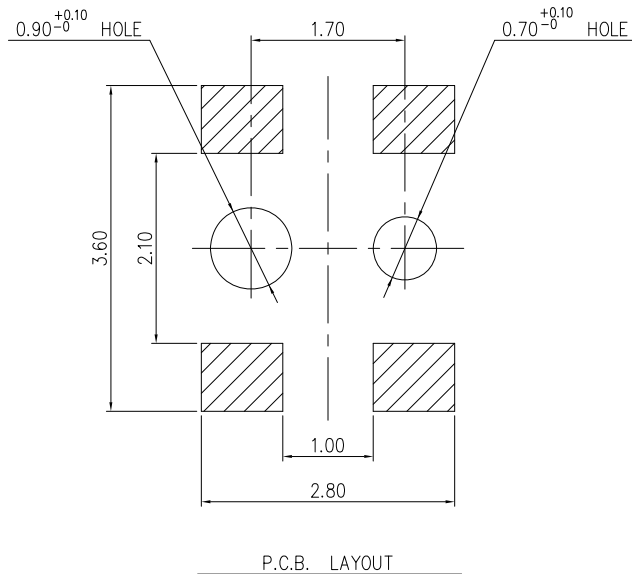
PACKING  
R=REEL

DIMENSION "H"  
025=2.53mm

RevNo	Revision note	Date	Signature



CIRCUIT



Designed by	L.Y.D		 <b>冠泰電子有限公司</b> CHAMPWAY ELECTRONICS CO., LTD.					
Checked by			Unit	mm	Scale	1/1	Date	2011.10.14
Approved by		Item	Detector Switch		Tool	A-Cad	Sheet	1/1
Model	2.8x3.5x2.53 VERTICAL SMD		Drawing name		ES101VMP-025 R-R			