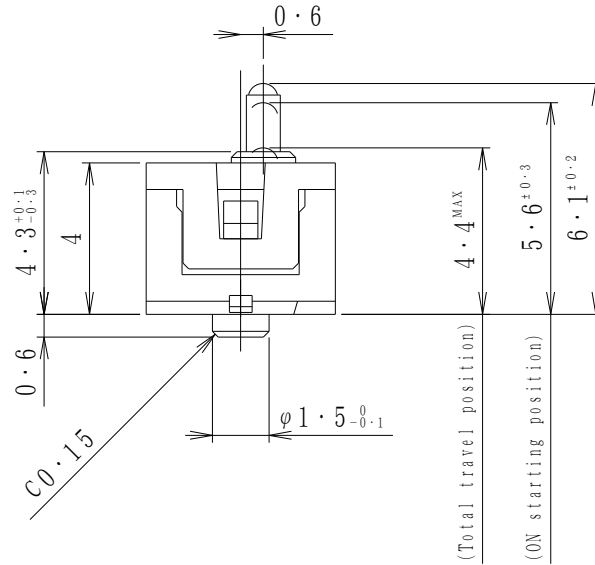
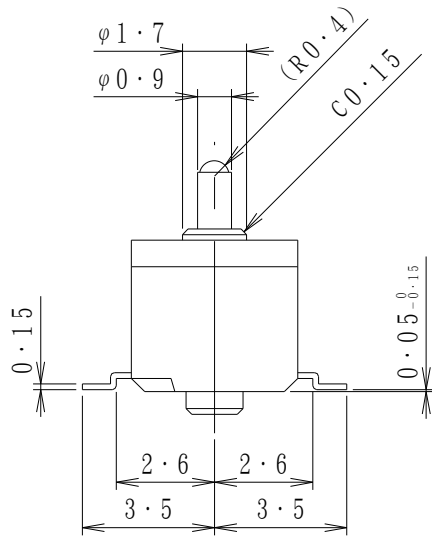
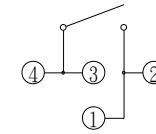


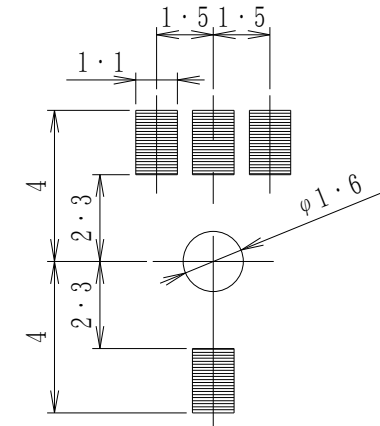
No.	Parts	Material	Remarks
5	Spring	C5191W	Ag plating
4	Nobe	PA	Black
3	Cover	PA	Black
2	Terminal	C2680	Ag plating
1	Frame	PPS	Black



Circuit Diagram

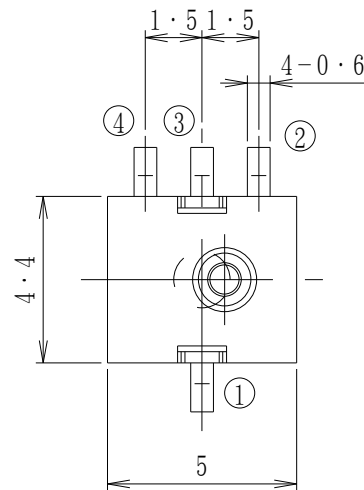


PCB Layout (From Top)



SPECIFICATIONS

- |                                |  |
|--------------------------------|--|
| 1. Rating                      | :DC 5V 5mA~10mA                            |
| 2. Contact Resistance          | :500m $\Omega$ Max.                        |
| 3. Insulation Resistance       | :100M $\Omega$ Min. at DC 100V             |
| 4. Dielectric Strength         | :AC 100V for 1 Minute                      |
| 5. Operating Force             | :40gf Max                                  |
| 6. Life                        | :100,000 Cycles                            |
| 7. Package                     | :1,000 Pcs/Reel                            |
| 8. Operating Temperature Range | :-10~+60 $^{\circ}$ C                      |
| 9. Reflow Soldering Profile    | : According Reflow Profile<br>Max. 2 Times |



Designed by	L.Y.D		 冠泰電子有限公司 CHAMPWAY ELECTRONICS CO., LTD.					
Checked by			Unit	mm	Scale	1/1	Date	2011.10.14
Approved by		Item	Detect Swith		Tool	A-Cad	Sheet	1/1
		Model	H: 6.1mm VERTICAL SMD		Drawing name	ES110VMP-061R-R		