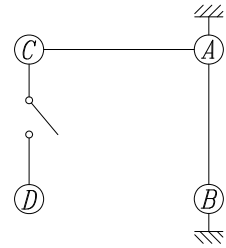
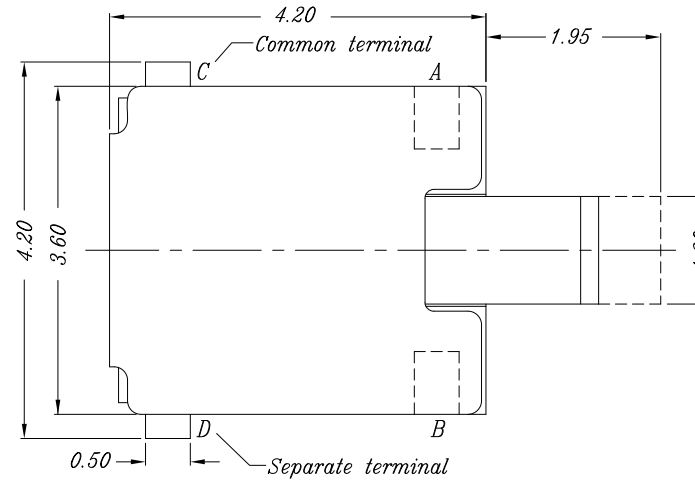
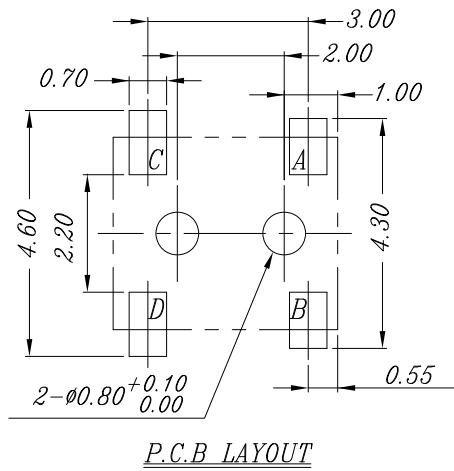
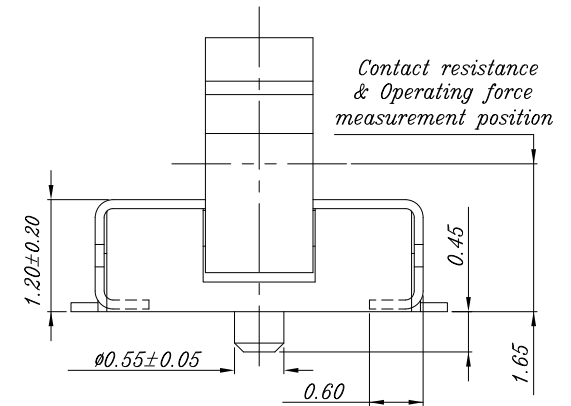
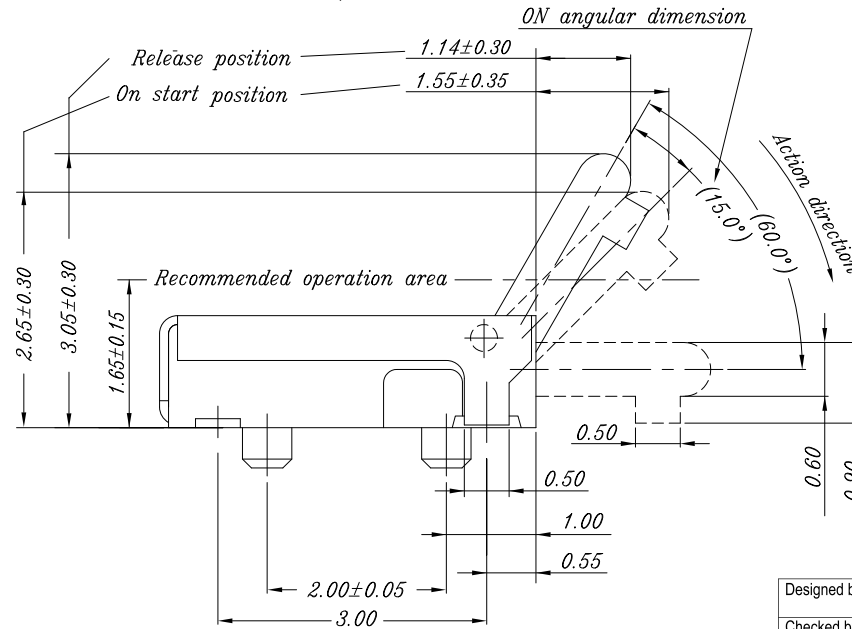


| RevNo | Revision note | Date | Signature |
|-------|---------------|------|-----------|
| | | | |
| | | | |



CIRCUIT DIAGRAM



NOTE:
 1. ALL DIMENSIONS ARE IN MILLIMETERS, BRACKETED DIMENSIONS ARE IN INCHES.
 2. GENERAL TOLERANCES MAX. ± 0.20mm.

| | | | | | | | | |
|-------------|-----------------------|------|--|-------|-----------------|------|------------|---|
| Designed by | L.Y.D | | | | | | | |
| Checked by | | | 冠泰電子有限公司 CHAMPWAY ELECTRONICS CO., LTD. | | | | | |
| Approved by | | Unit | mm | Scale | 1/1 | Date | 2011.10.14 | |
| Item | Detect Switch | | Tool | A-Cad | Sheet | 1/1 | Rev. | 0 |
| Model | H:3.05mm Vertical SMD | | Drawing name | | ES112VMP-003R-R | | | |