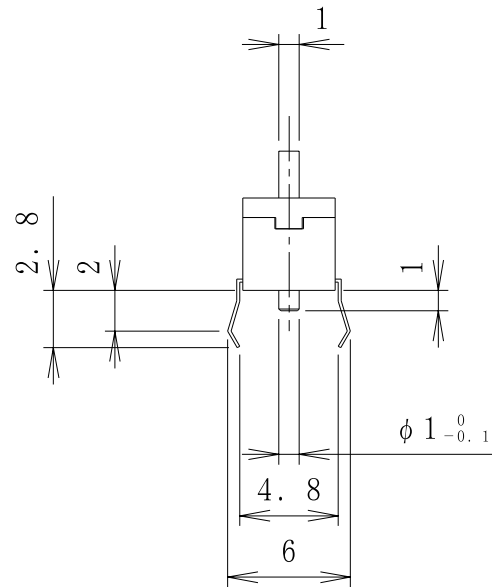
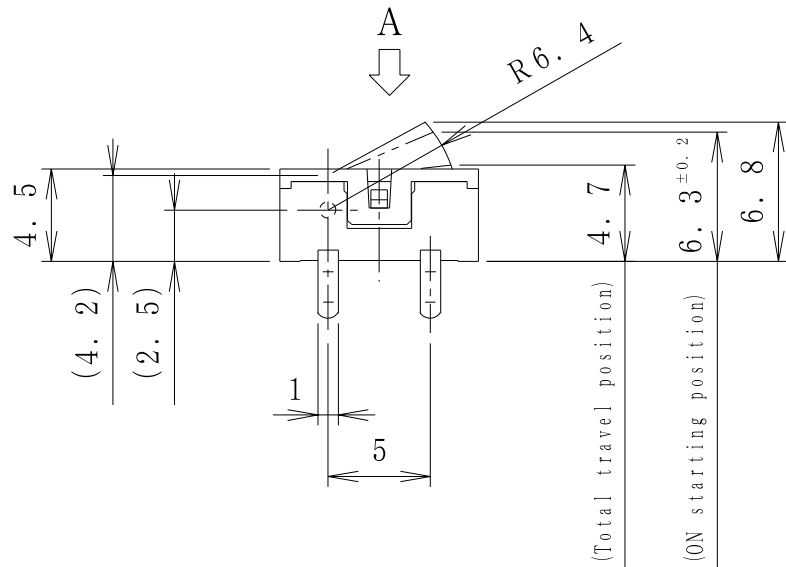
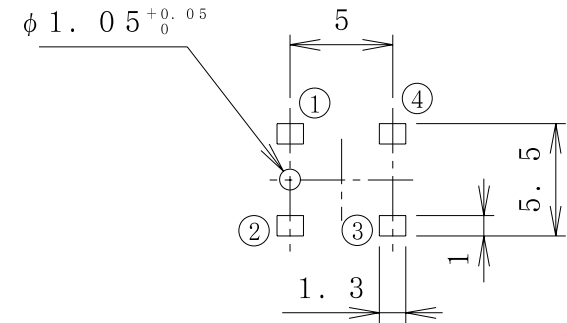
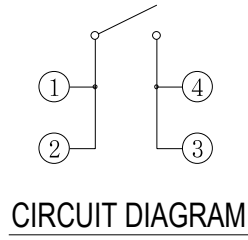
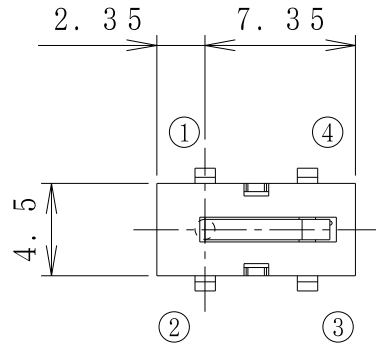


RevNo	Revision note	Date	Signature



NO.	PART NAME	Q'TY	MATERIAL
5	CONTACT	1	PBS
4	STEM	1	POM
3	COVER	1	PA
2	TERMINAL	1	C2680 WITH Ag PLATING
1	BASE	1	PA

Designed by	L.Y.D		 冠泰電子有限公司 CHAMPWAY ELECTRONICS CO., LTD.					
Checked by								
Approved by		Unit	mm	Scale	1/1	Date	2011.10.14	
Item	Detect Switch		Tool	A-Cad	Sheet	1/1	Rev.	0
Model	H:6.8mm VERTICAL DIP		Drawing name		ES121VHP-068R-B			