

RevNo	Revision note	Date	Signature

PART NO.(P/N.):

LS600AH - B \* \* - \* R - A

OFFSET  
RIGHT ANGLE

PACKING  
A=TRAY

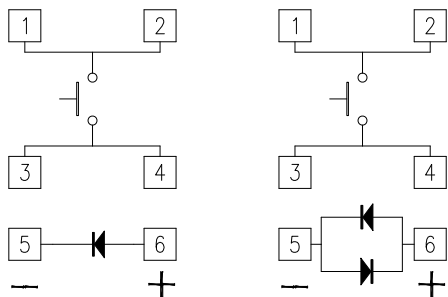
LED COLOR

N=NO LED Y=YELLOW  
G=GREEN PG=PURE GREEN  
R=RED A=AMBER  
U=BLUE W=WHITE  
RA=RED + AMBER  
RG=RED + GREEN  
RB=RED + BLUE  
RPG=RED + PURE GREEN  
AG=AMBER + GREEN  
UG= BLUE + GREEN

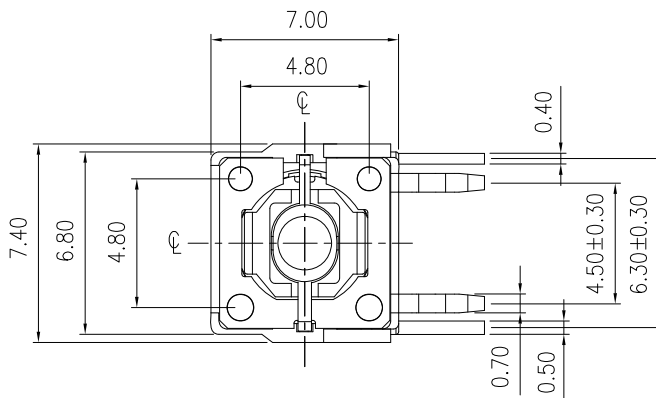
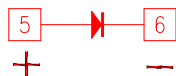
OPERATING FORCE

B=160gf  
C=260gf

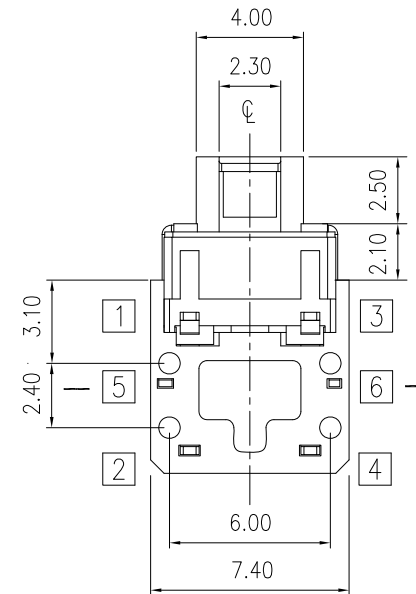
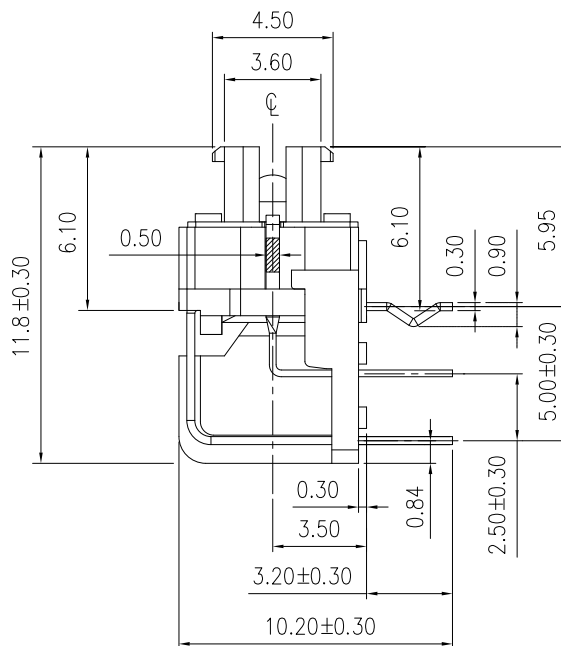
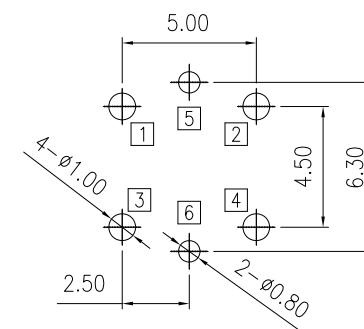
SCHEMATIC



The Circuit Diagram Of  
Red Led As Below



P.C.B. LAYOUT



NOTE:

1.ALL DIMENSIONS ARE IN MILLIMETERS.

2.GENERAL TOLERANCES ±0.2mm

3.ELECTRIAL:

Switch Rating: 50 mA 12V DC

Contact Resistance: 100 mΩ MAX

Insulation Resistance: 500V DC 100 MΩ MIN

Designed by	L.Y.D		 <b>冠泰電子有限公司</b> CHAMPWAY ELECTRONICS CO., LTD.					
Checked by								
Approved by		Unit	mm	Scale	1/1	Date	2011.10.14	
Item	LED SWITCH		Tool	A-Cad	Sheet	1/1	Rev.	0
Model	H: 7.0mm RIGHT ANGLE DIP		Drawin9 name	LS600AH-B * * - * R-A				