

RevNo	Revision note	Date	Signature

PART NO.(P/N.):

LS600VH - B * * - * R - T

VERTICAL
DIP

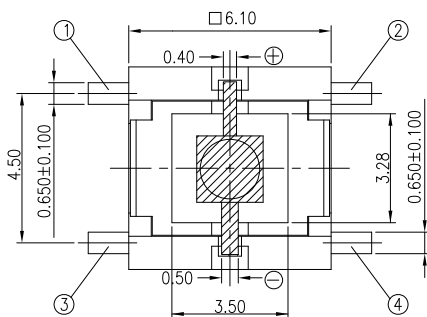
PACKING
T=TUBE

LED COLOR

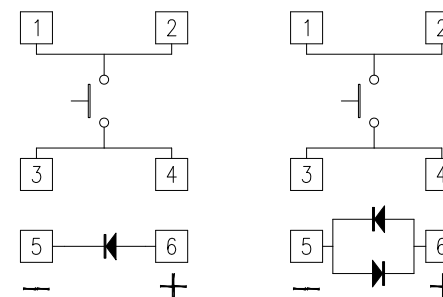
N=NO LED Y=YELLOW
G=GREEN PG=PURE GREEN
R=RED A=AMBER
U=BLUE W=WHITE
RA=RED + AMBER
RG=RED + GREEN
RB=RED + BLUE
RPG=RED + PURE GREEN
AG=AMBER + GREEN
UG= BLUE + GREEN

OPERATING FORCE

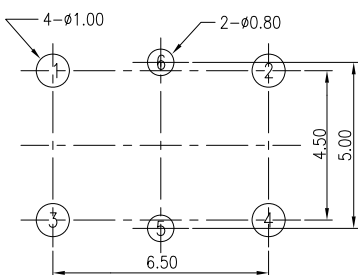
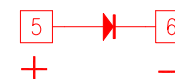
B=160gf
C=260gf



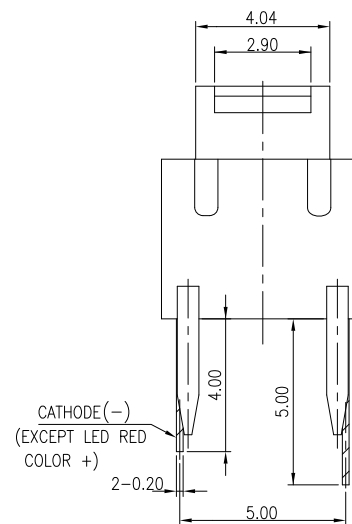
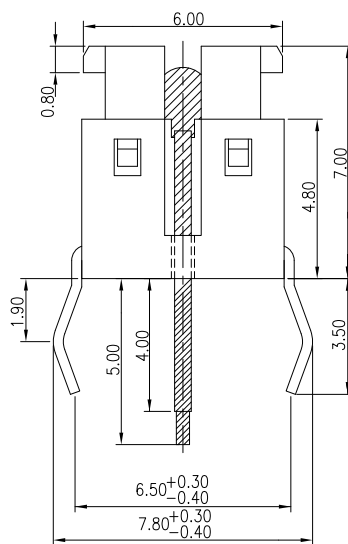
SCHEMATIC



The Circuit Diagram Of
Red Led As Below



P.C.B. LAYOUT



Designed by	L.Y.D		CHAMPWAY 冠泰電子有限公司 CHAMPWAY ELECTRONICS CO., LTD.							
Checked by			Unit	mm	Scale	1/1	Date	2011.10.14		
Approved by		Item	LED SWITCH		Tool	A-Cad	Sheet	1/1	Rev.	0
Model	VERTICAL DIP	Drawing name	LS600VH-B * * - * R-T							