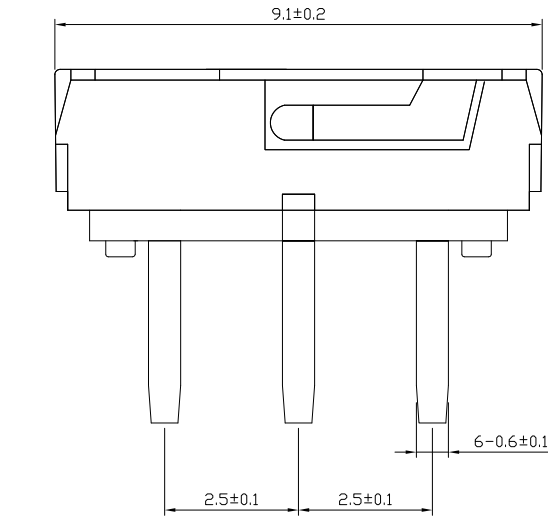


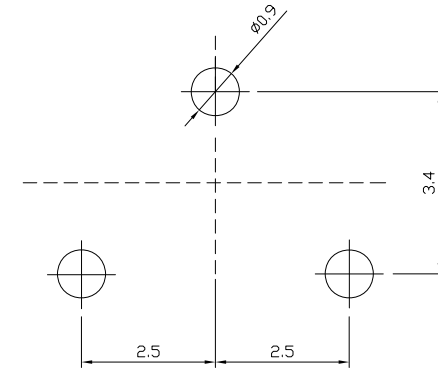
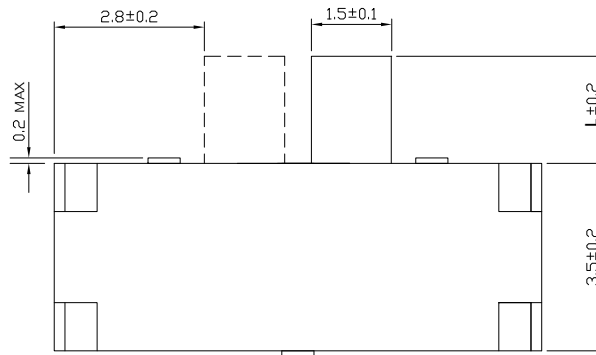
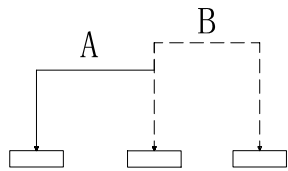
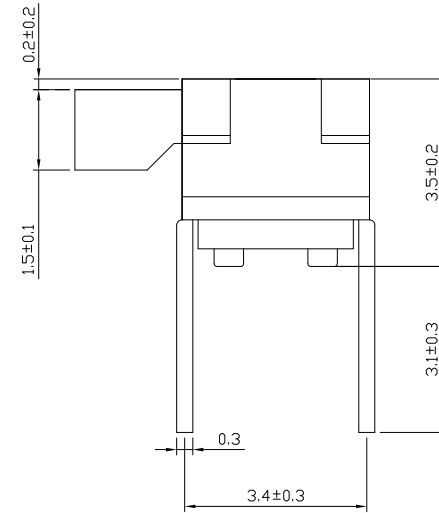
NOTE

- 1. RATING : DC 12V 100mA
- 2. CONTACT RESISTANCE : 100mΩMAX
- 3. GENERAL TOLERANCE : +/- 0.3 mm
- 4. MANUFACTURING SPECIFICATION WOULD BE ACCORDANCE WITH WT0158

PART NO.	L(mm)
SS1206AH-G2-LLR-B	2.0
SS1206AH-G4-LLR-B	4.0



RevNo	Revision note	Date	Signature



Designed by	L.Y.D		 冠泰電子有限公司 <small>CHAMPWAY ELECTRONICS CO., LTD.</small>					
Checked by								
Approved by		Unit	mm	Scale	1/1	Date	2011.10.14	
Item	SLIDE SWITCH		Tool	A-Cad	Sheet	1/1	Rev.	0
Model	1P2T RIGHT ANGLE DIP		Drawing name		SS1206AH-G* -LLR-B			