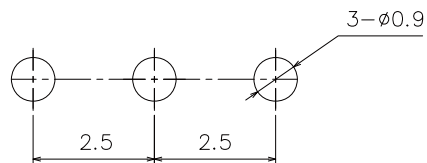
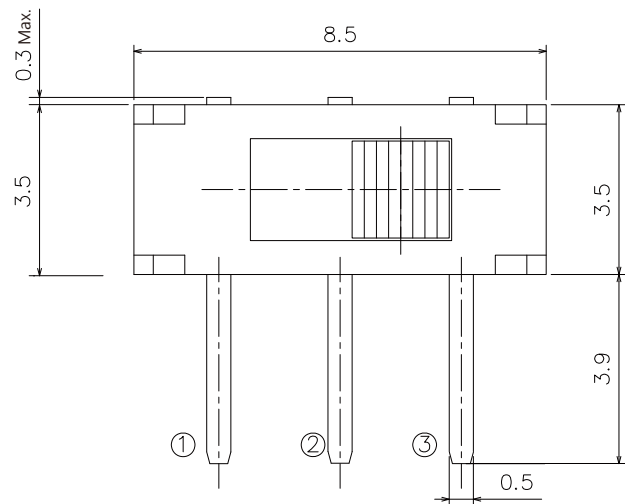
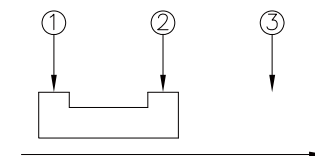


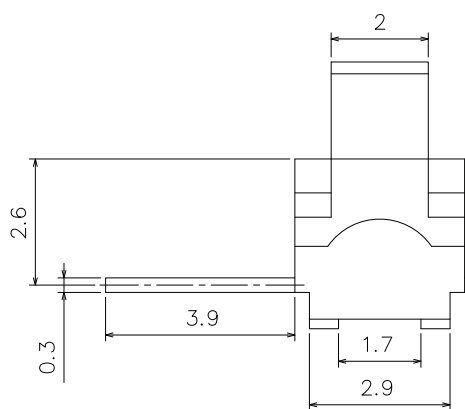
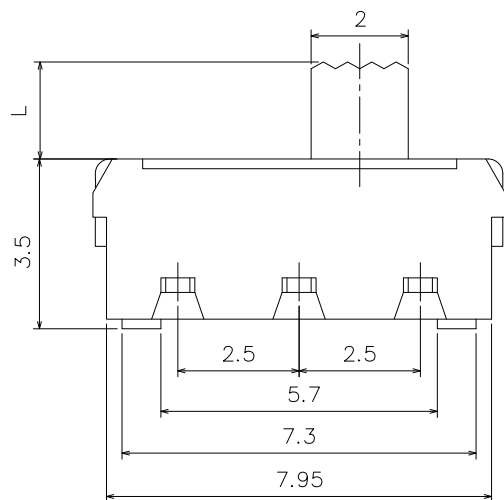
RevNo	Revision note	Date	Signature



P.C.B Mounting
pattern Dimension



Circuit Diagram



PART NO.	L (mm)
SS1207AH-G2-LLR-B	2.0
SS1207AH-G3-LLR-B	3.0
SS1207AH-G4-LLR-B	4.0

NOTE

1. RATING : DC 12V 50mA
2. CONTACT RESISTANCE : 100mΩ MAX
3. GENERAL TOLERANCE : +/- 0.2 mm
4. MANUFACTURING SPECIFICATION
WOULD BE ACCORDANCE WITH WT0158

Designed by L.Y.D		 冠泰電子有限公司 CHAMPWAY ELECTRONICS CO., LTD.	
Checked by			
Approved by	Unit mm	Scale 1/1	Date 2011.10.14
Item Slide Switch	Tool A-Cad	Sheet 1/1	Rev. 0
Model 1P2T Right Angle Dip	Drawing name SS1207AH-G * -LLR-B		