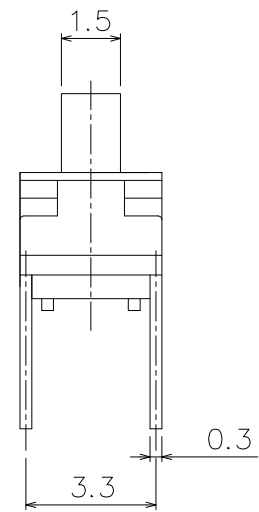
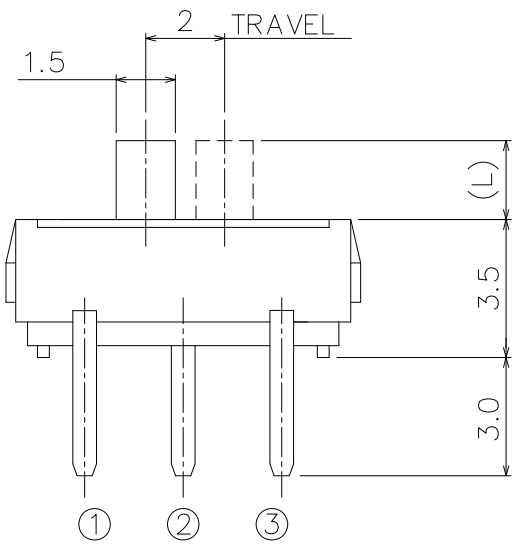
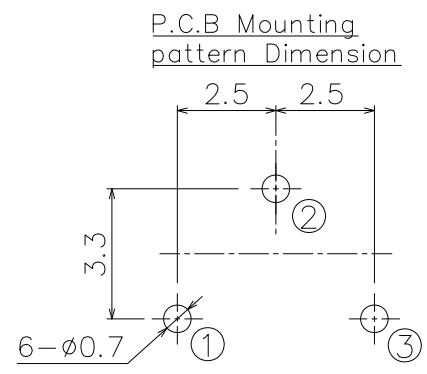
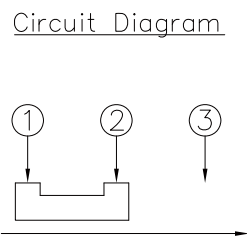
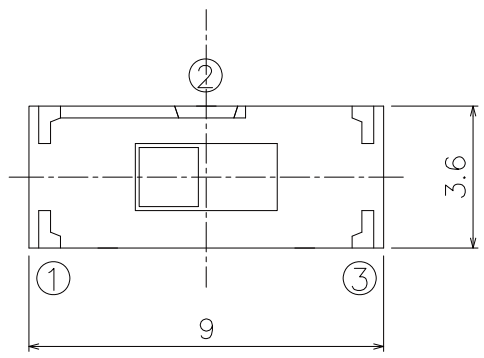
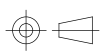



RevNo	Revision note	Date	Signature



PART NO.	L (mm)
SS1206VH-G2-LLR-B	2.0
SS1206VH-G3-LLR-B	3.0
SS1206VH-G4-LLR-B	4.0

- NOTE**
1. RATING : DC 12V 50mA
 2. CONTACT RESISTANCE : 100mΩ MAX
 3. GENERAL TOLERANCE : +/- 0.2 mm
 4. MANUFACTURING SPECIFICATION WOULD BE ACCORDANCE WITH WT0158

Designed by L.Y.D		 冠泰電子有限公司 CHAMPWAY ELECTRONICS CO., LTD.	
Checked by			
Approved by	Unit mm	Scale 1/1	Date 2011.10.14
Item Slide Switch	Tool A-Cad	Sheet 1/1	Rev. 0
Model 1P2T VERTICAL DIP	Drawing name SS1206VH-G * -LLR-B		