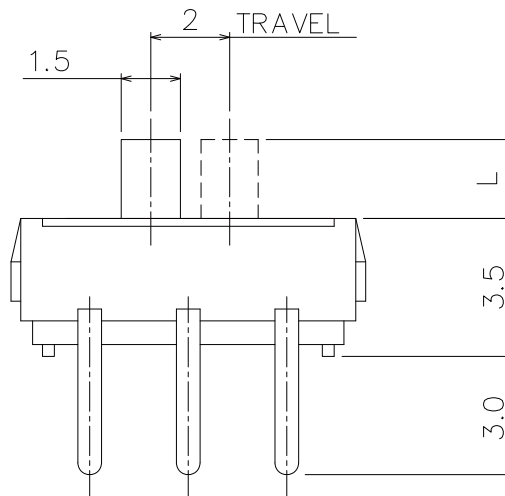
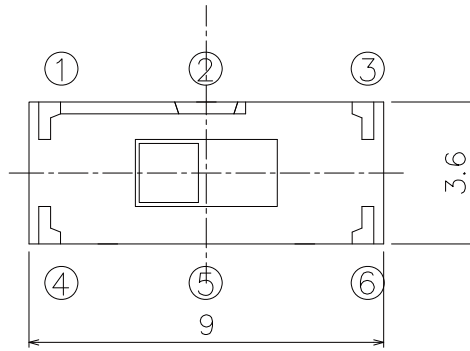
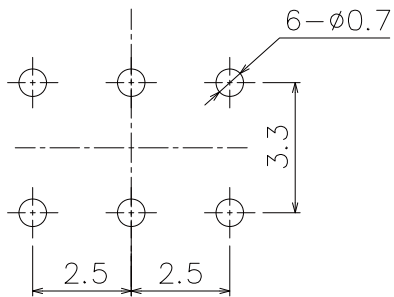


NOTE

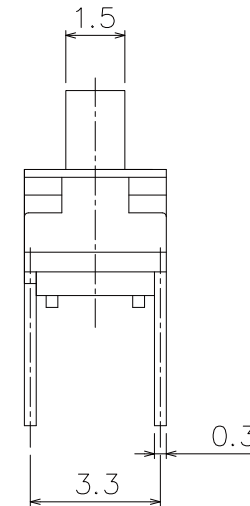
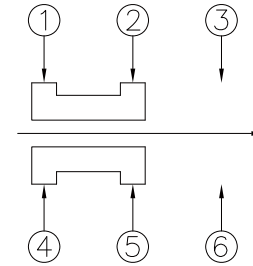
1. RATING : DC 12V 100mA
2. CONTACT RESISTANCE : 100mΩMAX
3. GENERAL TOLERANCE : +/- 0.2 mm
4. OPERATING FORCE : 100gf min./ 350gf max.
5. LIFE : 10,000 cycles

PART NO.	L (mm)
SS2206VH-G2-LLR-B	2.0
SS2206VH-G3-LLR-B	3.0
SS2206VH-G4-LLR-B	4.0

P.C.B Mounting
pattern Dimension



Circuit Diagram



RevNo	Revision note	Date	Signature

Designed by	L.Y.D		CHAMPWAY 冠泰電子有限公司 CHAMPWAY ELECTRONICS CO., LTD.				
Checked by							
Approved by		Unit	mm	Scale	1/1	Date	2011.10.14
Item	SLIDE SWITCH	Tool	A-Cad	Sheet	1/1	Rev.	0
Model	2P2T VERTICAL DIP	Drawing name		SS2206VH-G*-LLR-B			