

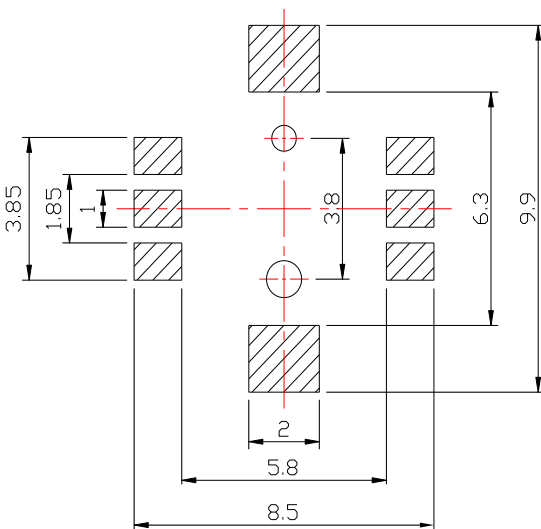
NOTE

- 1. RATING : DC 12V 50mA
- 2. CONTACT RESISTANCE : 100mΩMAX
- 3. GENERAL TOLERANCE : +/- 0.3 mm
- 4. MANUFACTURING SPECIFICATION
WOULD BE ACCORDANCE WITH WT0158
- 5. PART NO.(P/N.):
MFS5101VM1E - 050 R - R

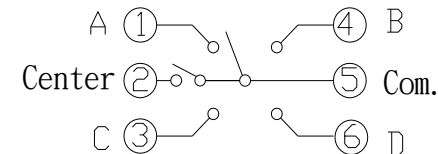
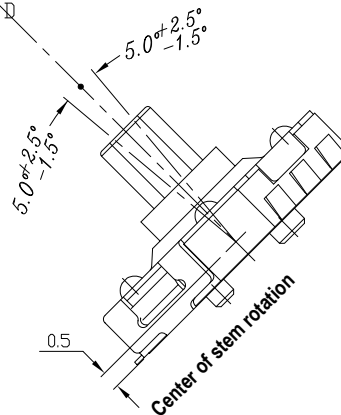
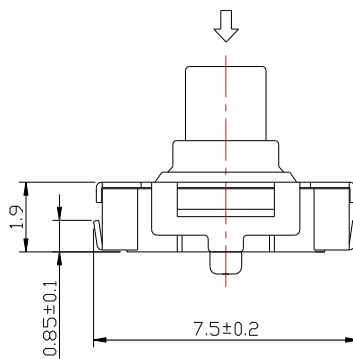
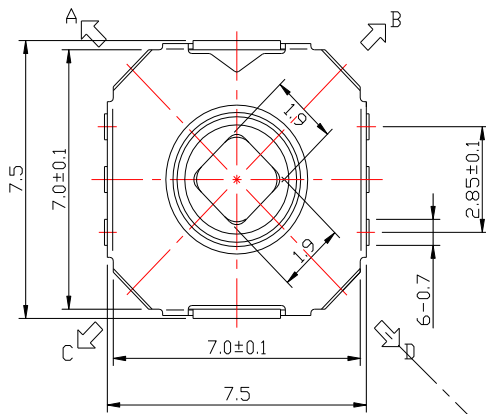
7.5X7.5
5 Directions

PACKING
R=REEL

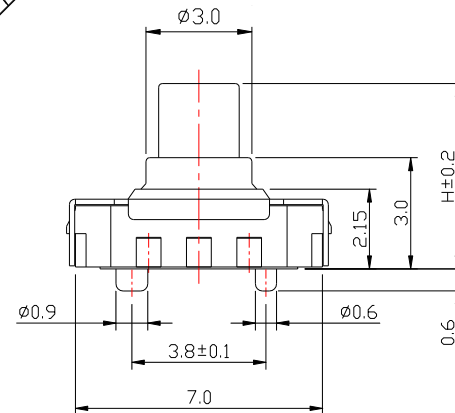
DIMENSION "H"
050=5.0mm



P. C. B LAND DIMENSION



CIRCUIT DIAGRAM



RevNo	Revision note	Date	Signature

Designed by	L.Y.D		 冠泰電子有限公司 CHAMPWAY ELECTRONICS CO., LTD.				
Checked by							
Approved by		Unit	mm	Scale	1/1	Date	2011.10.14
Item	Multi-Function Switch	Tool	A-Cad	Sheet	1/1	Rev.	0
Model	7.5X7.5 5 Directions	Drawing name		MFS5101VM1E-050R-R			