

RevNo	Revision note	Date	Signature

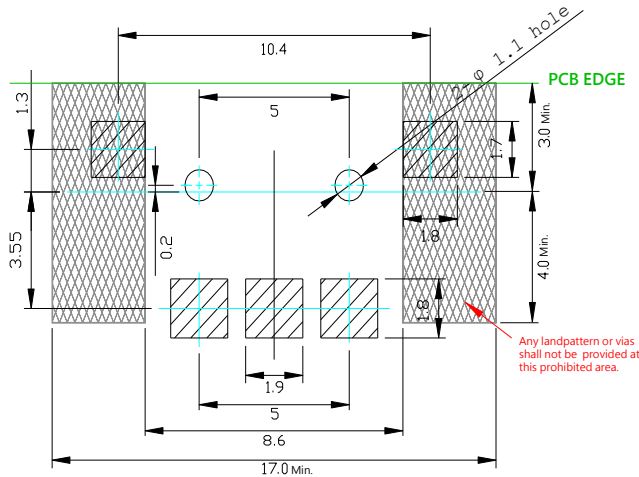
NOTE

- 1. RATING : DC 5V 10mA
- 2. CONTACT RESISTANCE : 100mΩMAX
- 3. GENERAL TOLERANCE : +/- 0.3 mm
- 4. MANUFACTURING SPECIFICATION
WOULD BE ACCORDANCE WITH WT0158
- 5. PART NO.(P/N.):

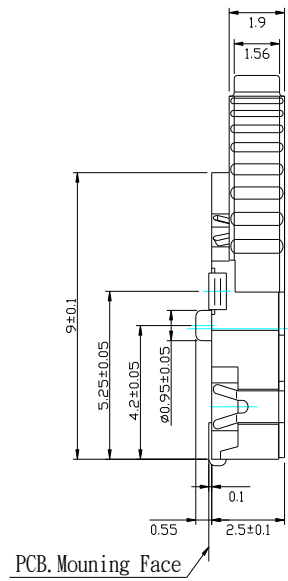
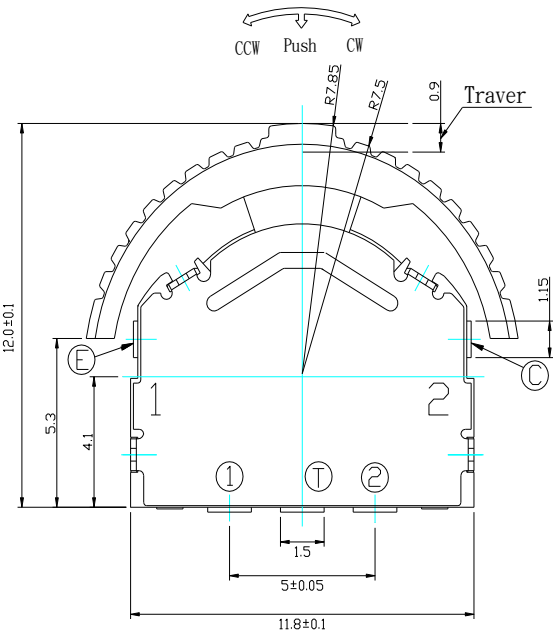
MFS3101AME - 023 R - R

3 Directions
Jog Dial SMD

PACKING
R=REEL

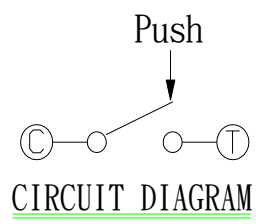


P. C. B LAND DIMENSION



Code Table

	25°	CCW ←	0°	→	CW	25°
Angle	(18°)				(18°)	
Terminal						
①	▨					
②					▨	
Ⓒ	▨				▨	



Designed by	L.Y.D		CHAMPWAY 冠泰電子有限公司 CHAMPWAY ELECTRONICS CO., LTD.					
Checked by			Unit	mm	Scale	1/1	Date	2011.10.14
Approved by		Item	Multi-Function Switch		Tool	A-Cad	Sheet	1/1
Model	3 Directions Jog Dial	Rev.			Rev.	0	Drawing name	
						MFS3101AME-023R-R		