

**NOTE**

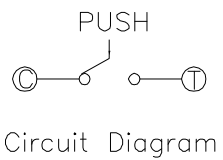
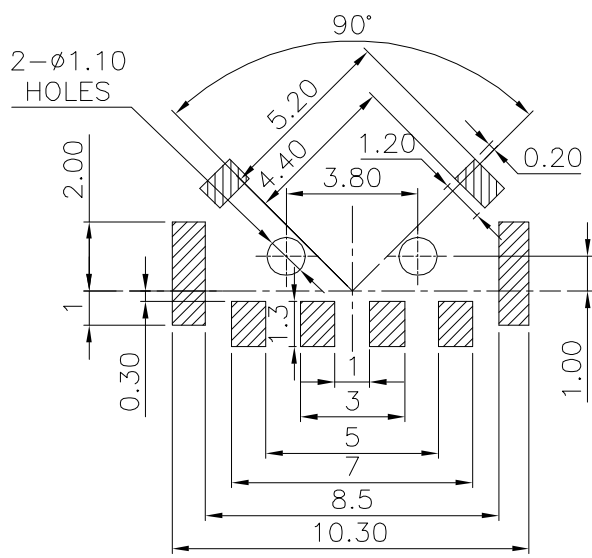
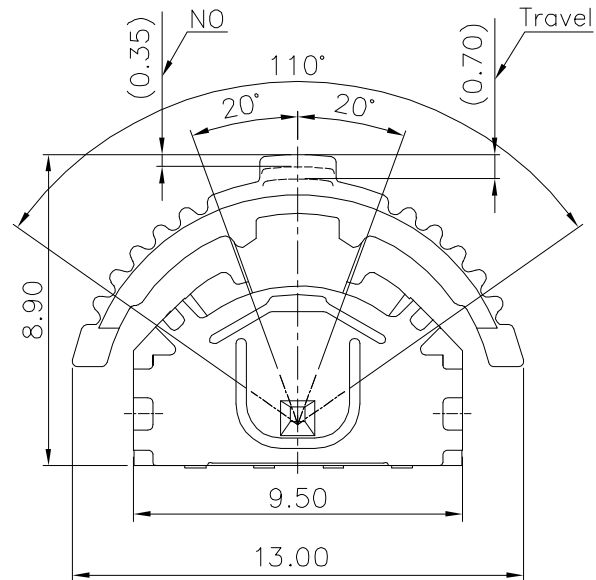
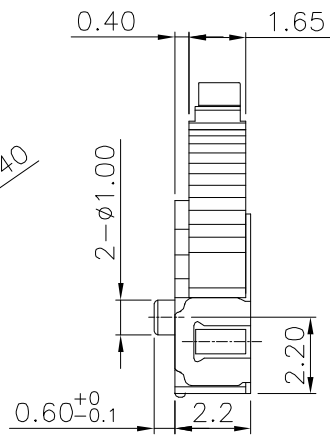
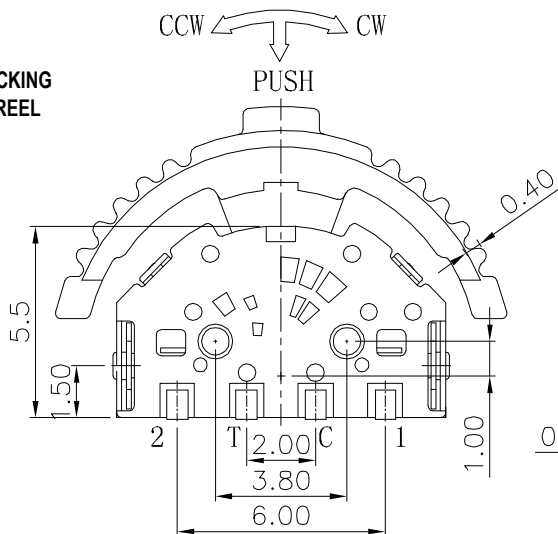
1. RATING : DC 5V 10mA
2. CONTACT RESISTANCE : 100mΩMAX
3. GENERAL TOLERANCE : +/- 0.2 mm
4. MANUFACTURING SPECIFICATION  
WOULD BE ACCORDANCE WITH WT0158
5. PART NO.(P/N.):

**MFS3104AME - 022 R - R**

3 Directions  
Jog Dial SMD

PACKING  
R=REEL

RevNo	Revision note	Date	Signature



TER	0° (Hatched=NO)			
	ANG. (20°)	(15°)	(15°)	(20°)
①	Hatched			
②			Hatched	
③	Hatched	Hatched	Hatched	Hatched

CCW ← → CW  
**CODE TABLE**

Operating Force:  
 lever portion 70 ± 40 gf  
 Push portion 250 ± 40 gf  
 Travel: -25° 0° +25° Pushportion 0.7±0.1mm

P.C.B Mounting  
Pattern Dimension

Designed by	L.Y.D		<b>CHAMPWAY</b> 冠泰電子有限公司 CHAMPWAY ELECTRONICS CO., LTD.							
Checked by			Unit	mm	Scale	1/1	Date	2011.10.14		
Approved by		Item	Multi-Function Switch		Tool	A-Cad	Sheet	1/1	Rev.	0
Model	3 Directions Jog Dial		Drawing name		MFS3104AME-022R-R					