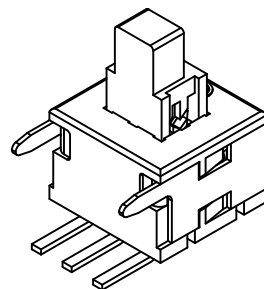
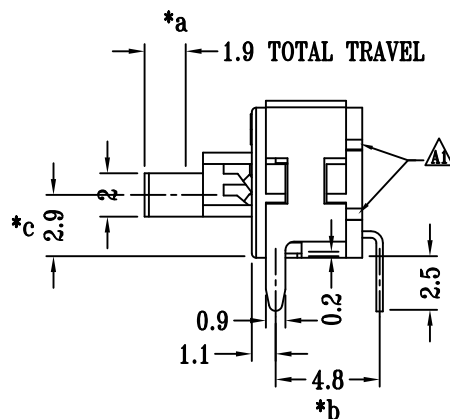
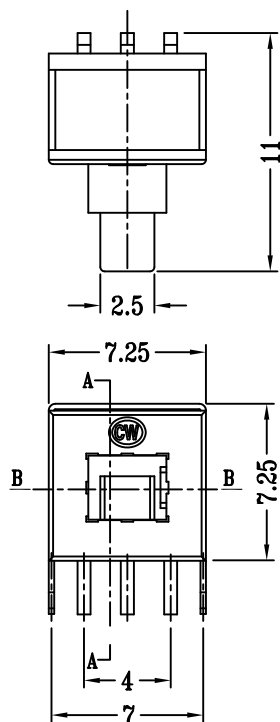
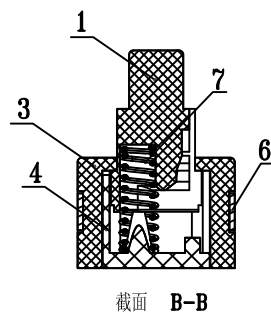
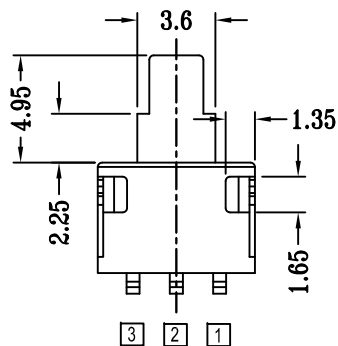
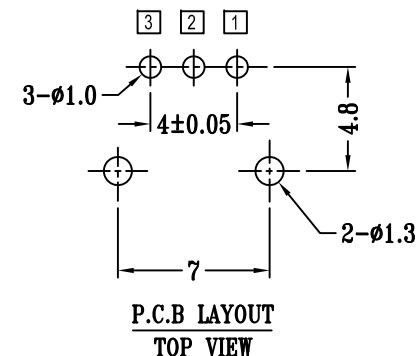
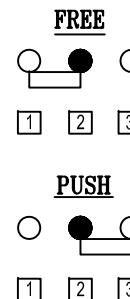


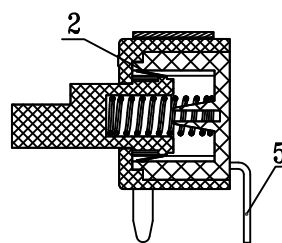
CAD FILE:



SCHEMATIC



截面 B-B



截面 A-A

1. OPERATION: NON-LOCK
2. RATING: 12V DC 50mA
3. CONTACT RESISTANCE: 100 mΩ MAX.
4. INSULATION RESISTANCE: 250V DC ,100 MΩ MIN.
5. OPERATION FORCE: 200±50 gf
6. OPERATION TEMPERATURE RANGE: -20°C~+70°C
7. OPERATION LIFE: 20,000 CYCLES

注：“*”表示关键尺寸(3个).

NO.	PARTS	MATERIALS	Q'TY	FINISH	TOLERANCE	DATE	DESCRIPTIONS OF REVISION	APPD.
8					UNLESS SPECIFIED	A1	2017-06-23	曾鹏
7	SPRING	SUS304	1	NATURAL	WITHIN 1.5mm : ±0.1mm	A	2017-02-13	曾鹏
6	FRAME	SUS304	1	Sn PLATED	OVER 1.5mm : ±0.2mm	ISSUE	DATE	曾鹏
5	METAL TERMINAL	BRASS STRIP	3	Ag PLATED	TITLE : PUSH SWITCH			
4	CASE	PPA	1	BLACK	MODEL: CPS725AH-NR		UNIT : mm	DRWG NO.: CPS725AH
3	COVER	PPA	1	BLACK			SCALE: 2:1	DWN. 张俊 2017-02-13
2	CONTACT PIECE	PBS C5210R-EH	6	Ag CLAD			CHK'D 黄锦效 2017-02-13	
1	KNOB	PPA	1	WHITE			APPD. 曾鹏 2017-02-13	

