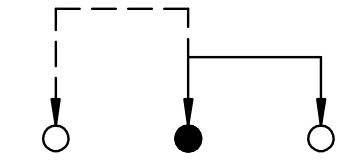
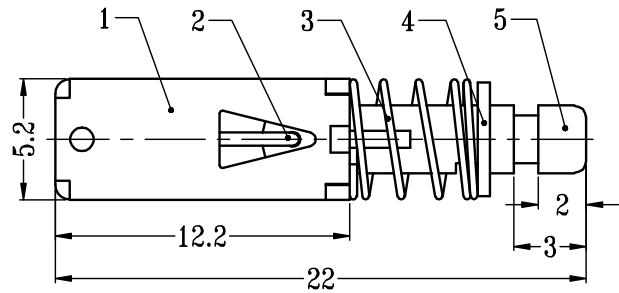
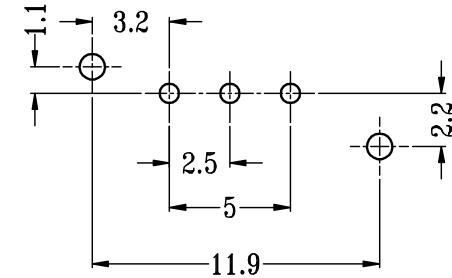
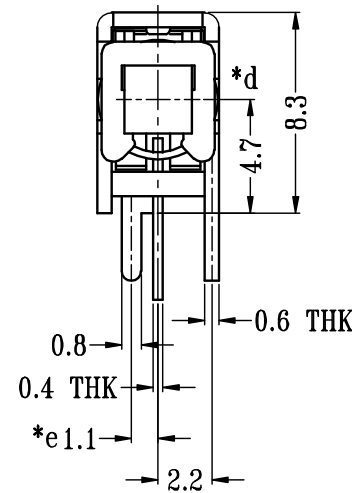
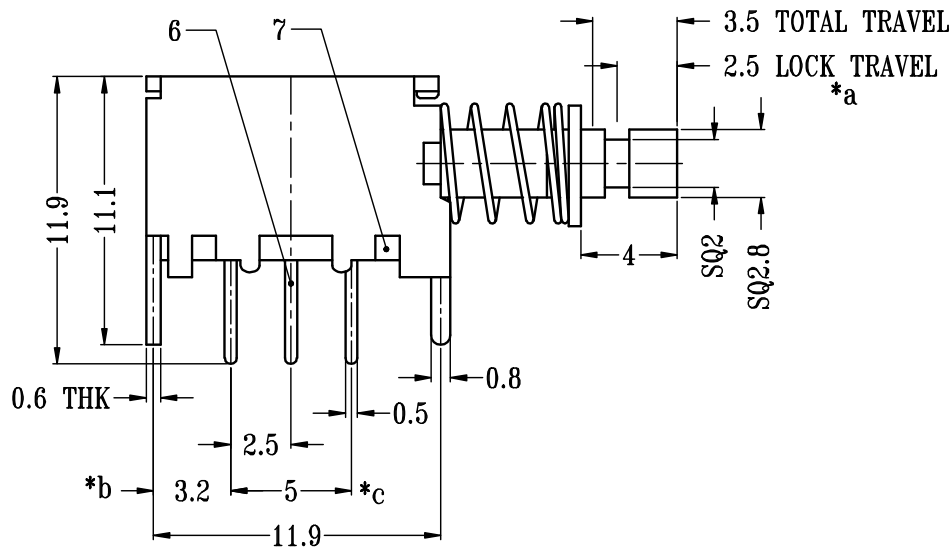


CAD FILE:



SCHEMATIC (NON-SHORTING)



P.C.B LAYOUT
BOTTOM VIEW

注“*”表示关键尺寸(5个).

9	CONTACT CLIP	PBS C5210R-EH	1	Ag CLAD
8	SPRING PLATE	PBS STRIP	1	NATURAL
7	BASE	PHENOLIC RESIN	1	NATURAL
6	TERMINAL	BRASS STRIP	3	Ag PLATED
5	KNOB	PA66	1	BLUE
4	BLOCK	STEEL STRIP	1	Ni PLATED
3	SPRING	STEEL WIRE	1	Ni PLATED
2	CAM STICK	PBS WIRE	1	NATURAL
1	FRAME	STEEL STRIP	1	Ni PLATED
NO.	PARTS	MATERIALS	Q'TY	FINISHING

TOLERANCE UNLESS SPECIFIED					
WITHIN 1.5mm : ±0.1mm	A	2012-8-22	初版		
OVER 1.5mm : ±0.2mm	ISSUE	DATE	DESCRIPTIONS OF REVISION		
TITLE : PUSH SWITCH 1P2T LOCK		UNIT : mm	DRWG NO.: PS1201AHP-L		
MODEL: PS1201AHP-ULR-B		SCALE: 3:1	DWN.	余丽珍	2012-8-22
CHAMPWAY 冠泰电子有限公司 CHAMPWAY ELECTRONICS CO., LTD.	CHK'D	卢业创			
	APPD.	2012-8-22			