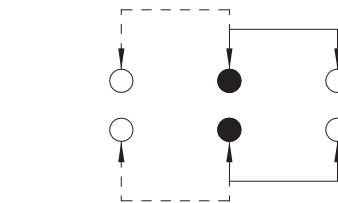
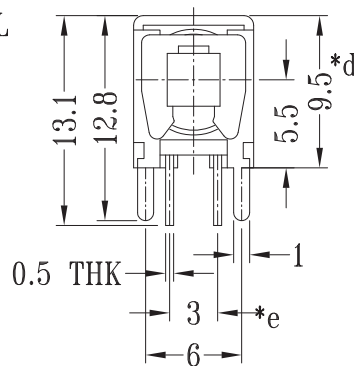
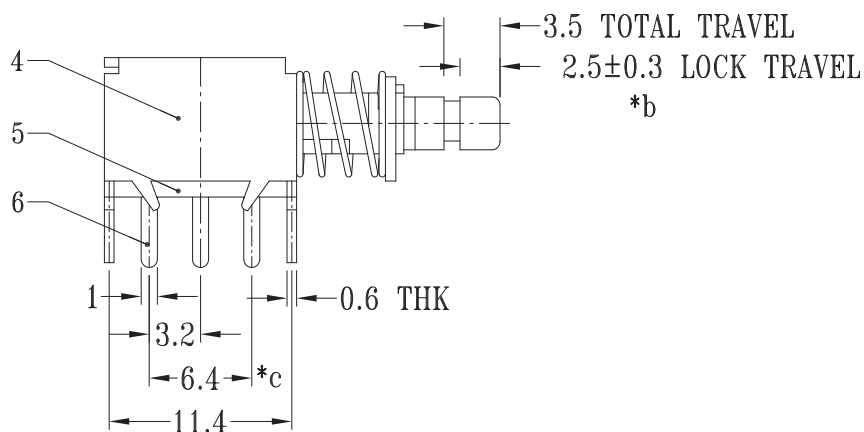
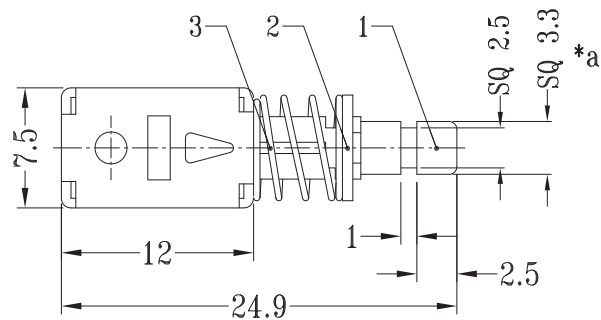
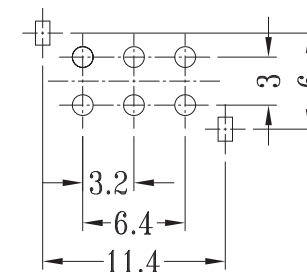


CAD FILE:



SCHEMATIC (NON-SHORTING)



P.C.B LAYOUT
BOTTOM VIEW

注: "*"表示关键尺寸(5个)

NO.	PARTS	MATERIALS	Q'TY	FINISH	TOLERANCE UNLESS SPECIFIED					
8										
7	CONTACT CLIP	PBS C5210R-EH	2	Ag CLAD						
6	TERMINAL	BRASS STRIP	6	Ag PLATED						
5	BASE	PHENOLIC RESIN	1	NATURAL	WITHIN 1.5mm : ±0.1mm	A	2013-02-28	初版		
4	FRAME	STEEL STRIP	1	Ni PLATED	OVER 1.5mm : ±0.2mm	ISSUE	DATE	DESCRIPTIONS OF REVISION		APPD.
3	SPRING	STEEL WIRE	1	Ni PLATED	TITLE : PUSH SWITCH 2P2T LOCK		UNIT : mm	DRWG NO.: PS2201AHP-L		
2	BLOCK	STEEL STRIP	1	Ni PLATED	MODEL: PS2201AHP-KLR-B		SCALE: 2:1	DWN.	余丽珍	2013-02-28
1	KNOB	NYLON+F.G+94V0	1	BLACK	CHAMPWAY 冠泰电子有限公司 CHAMPWAY ELECTRONICS CO., LTD.		CHK'D			
							APPD.			