

NOTE

1. RATING : DC 12V 50mA
2. CONTACT RESISTANCE : 100mΩ MAX
3. GENERAL TOLERANCE : +/- 0.2 mm
4. MANUFACTURING SPECIFICATION
WOULD BE ACCORDANCE WITH WT0158
5. PART NO.(P/N.):

TS107FMP - * * R - R

OFFSET
RIGHT ANGLE

PACKING
R=REEL

OPERATING FORCE

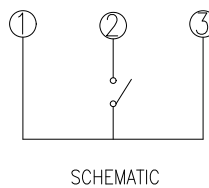
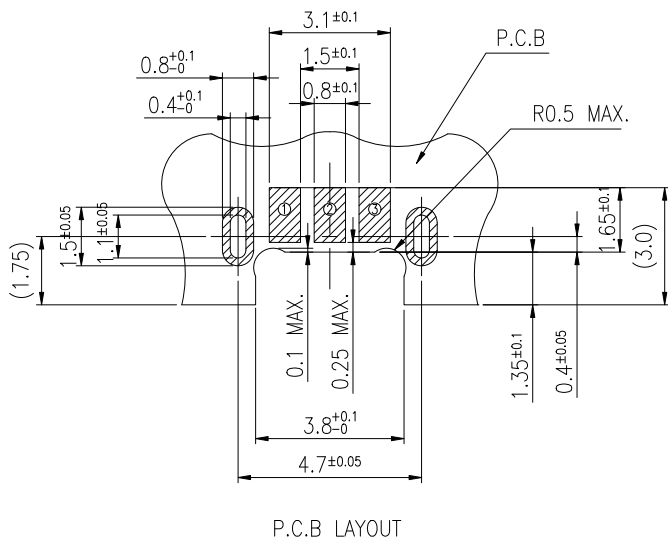
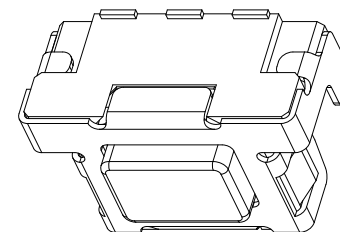
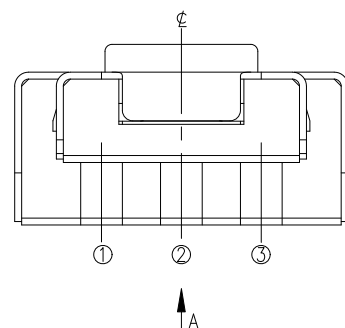
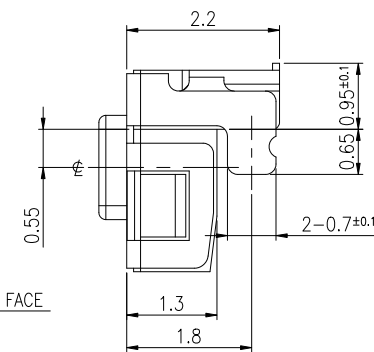
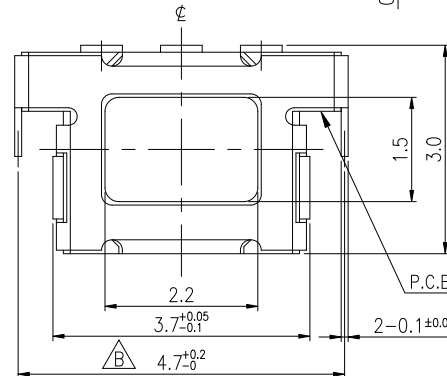
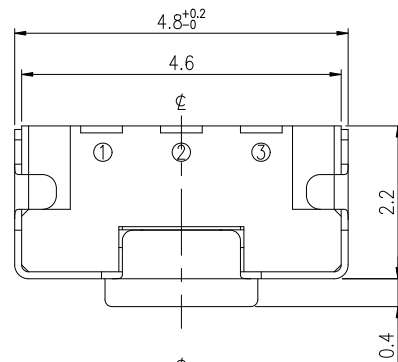
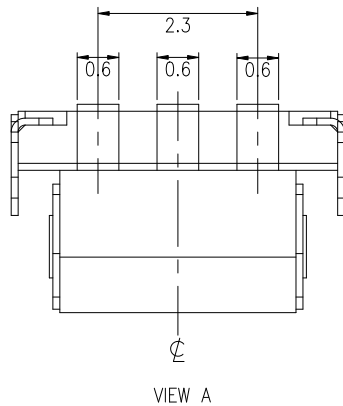
B=160gf

C=260gf

Y=350gf

STEM COLOR

□=BLACK



RevNo	Revision note	Date	Signature

Designed by	L.Y.D		 冠泰電子有限公司 CHAMPWAY ELECTRONICS CO., LTD.					
Checked by			Unit	mm	Scale	1/1	Date	2011.10.14
Approved by		Item	Tactile Switch		Sheet	1/1	Rev.	0
Model	OFFSET RIGHT ANGLE SMD		Drawing name	TS107FMP- * * R-R				