

RevNo	Revision note	Date	Signature

**NOTE**

1. RATING : DC 12V 50mA
2. CONTACT RESISTANCE : 100mΩMAX
3. GENERAL TOLERANCE : +/- 0.2 mm
4. MANUFACTURING SPECIFICATION  
WOULD BE ACCORDANCE WITH WT0158
5. PART NO.(P/N.):

TS100VM1 - \* \* \* R - R

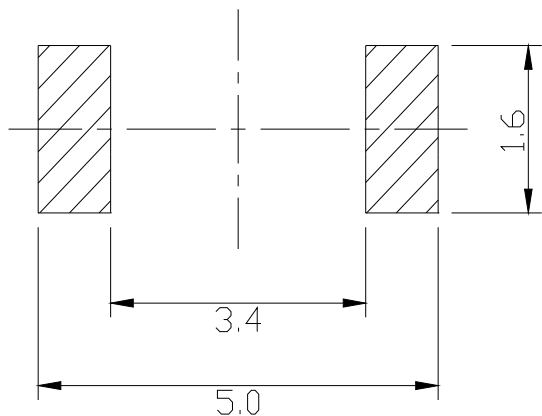
2.9X3.9  
VERTICAL  
U TYPE

DIMENSION "H"  
020=2.0mm  
025=2.5mm  
030=3.0mm

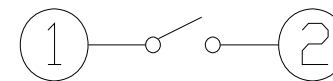
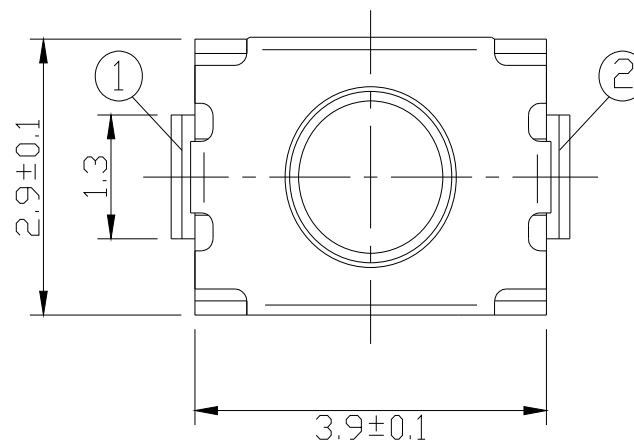
OPERATING FORCE  
B=160gf  
C=260gf

STEM COLOR  
□=BLACK

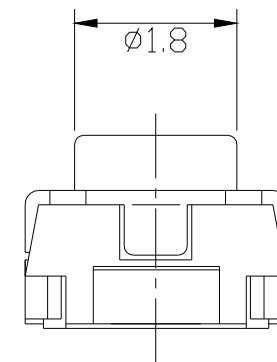
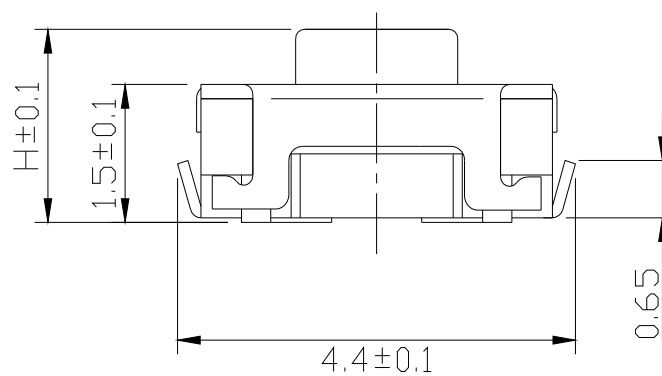
PACKING  
R=REEL



P.C.B LAND DIMENSION



CIRCUIT DIAGRAM



Designed by L.Y.D		 <b>冠泰電子有限公司</b> CHAMPWAY ELECTRONICS CO., LTD.	
Checked by			
Approved by	Unit mm	Scale 1/1	Date 2011.10.14
Item Tactile Switch	Tool A-Cad	Sheet 1/1	Rev. 0
Model 2.9X3.9 U Type	Drawing name TS100VM1- * * * R-R		