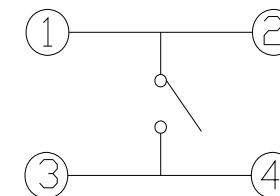
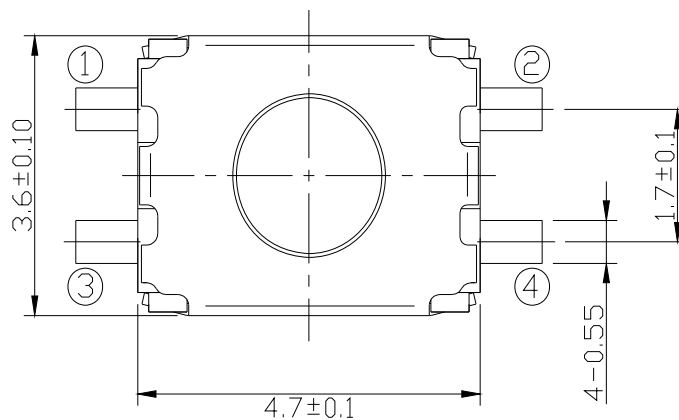


RevNo	Revision note	Date	Signature

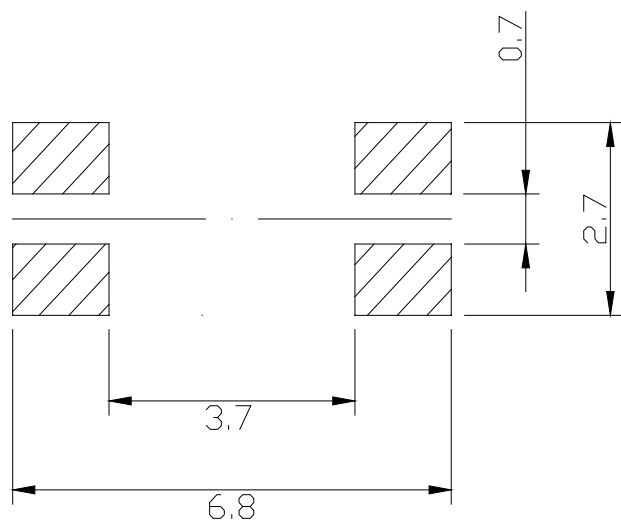
**NOTE**

1. RATING : DC 12V 50mA
2. CONTACT RESISTANCE : 100mΩ MAX
3. GENERAL TOLERANCE : +/- 0.3 mm
4. MANUFACTURING SPECIFICATION WOULD BE ACCORDANCE WITH WT0158
5. PART NO.(P/N.):

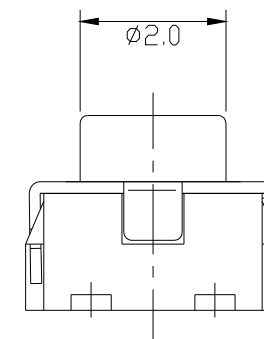
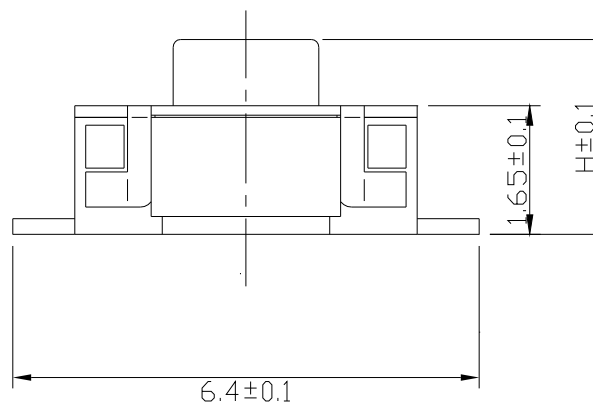
**TS101VM - 025 \* \* R - R**  
 3.5X4.7 VERTICAL SMD  
 DIMENSION "H"  
 025=2.5mm  
 PACKING R=REEL  
 OPERATING FORCE  
 B=160gf  
 C=260gf  
 STEM COLOR  
 □=BLACK



**CIRCUIT DIAGRAM**



**P.C.B LAND DIMENSION**



Designed by	L.Y.D		<b>CHAMPWAY</b> 冠泰電子有限公司 CHAMPWAY ELECTRONICS CO., LTD.	
Checked by			Unit	mm
Approved by		Scale	1/1	Date
Item	Tactile Switch	Sheet	1/1	Rev.
Model	3.5X4.7 Vertical Flat	Drawing name	TS101VM-025 * R-R	