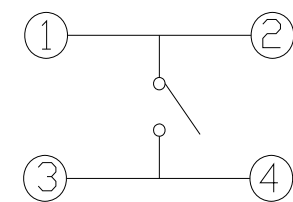
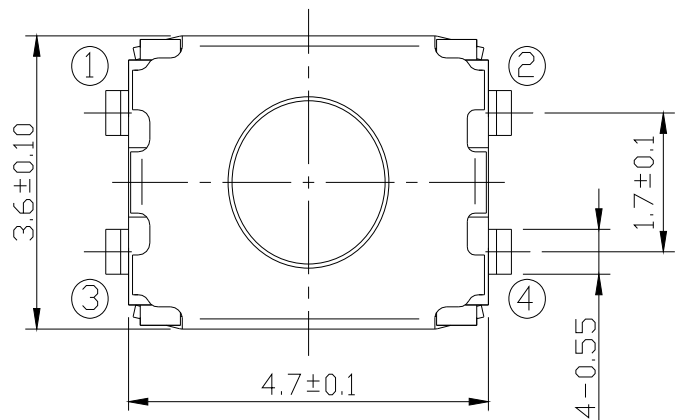


RevNo	Revision note	Date	Signature

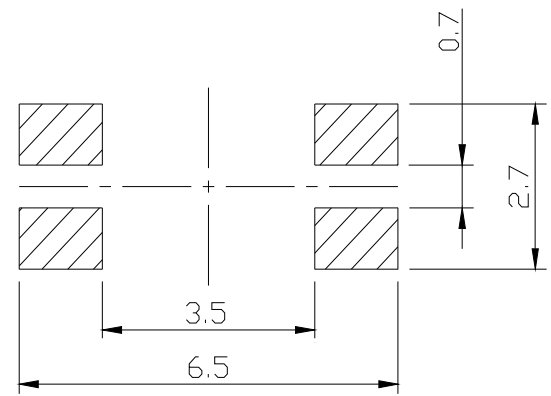
NOTE

1. RATING : DC 12V 50mA
2. CONTACT RESISTANCE : 100mΩ MAX
3. GENERAL TOLERANCE : +/- 0.3 mm
4. MANUFACTURING SPECIFICATION WOULD BE ACCORDANCE WITH WT0158
5. PART NO.(P/N.):

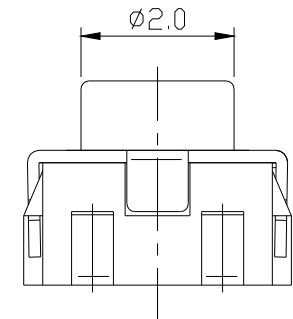
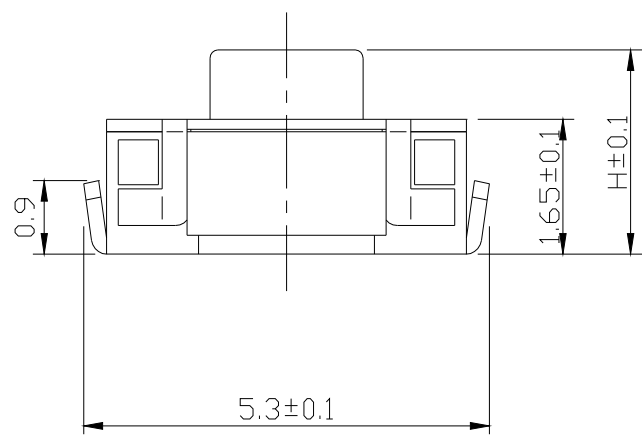
TS101VM1 - 025 * * R - R
 3.5X4.7 VERTICAL SMD
 DIMENSION "H" 025=2.5mm
 PAKING R=REEL
 OPERATING FORCE B=160gf C=260gf
 STEM COLOR □=BLACK



CIRCUIT DIAGRAM



P.C.B LAND DIMENSION



Designed by	L.Y.D		 冠泰電子有限公司 CHAMPWAY ELECTRONICS CO., LTD.					
Checked by			Unit	mm	Scale	1/1	Date	2011.10.14
Approved by		Item	Tactile Switch		Tool	A-Cad	Sheet	1/1
Model	3.5X4.7 Vertical U Type	Drawing name	TS101VM1-025 * R-R		Rev.	0		