

RevNo	Revision note	Date	Signature

NOTE

- 1. RATING : DC 12V 50mA
- 2. CONTACT RESISTANCE : 100mΩ MAX
- 3. GENERAL TOLERANCE : +/- 0.3 mm
- 4. MANUFACTURING SPECIFICATION
WOULD BE ACCORDANCE WITH WT0158
- 5. PART NO.(P/N.):

TS200VM - * * * R - R

12.0X12.0
VERTICAL

DIMENSION "H"

- 043=4.3mm
- 050=5.0mm
- 060=6.0mm
- 070=7.0mm
- 085=8.5mm
- ...

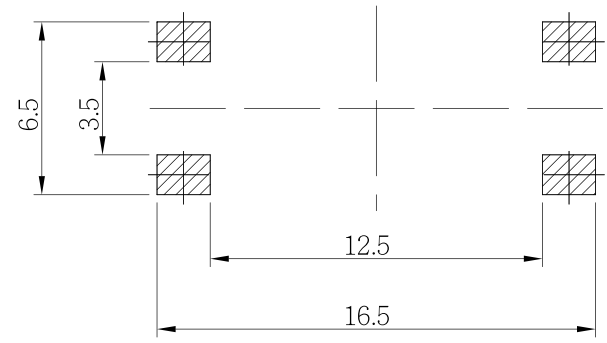
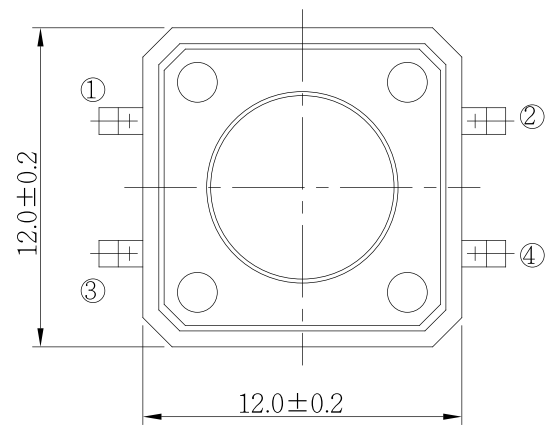
OPERATING FORCE

- A=100gf
- B=160gf
- C=260gf
- ...

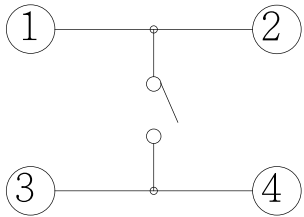
STEM COLOR

- =BLACK
- N=BROWN
- R=RED
- ...

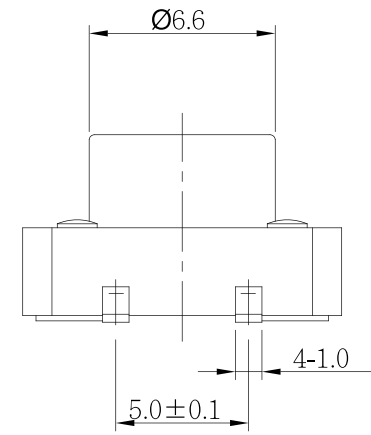
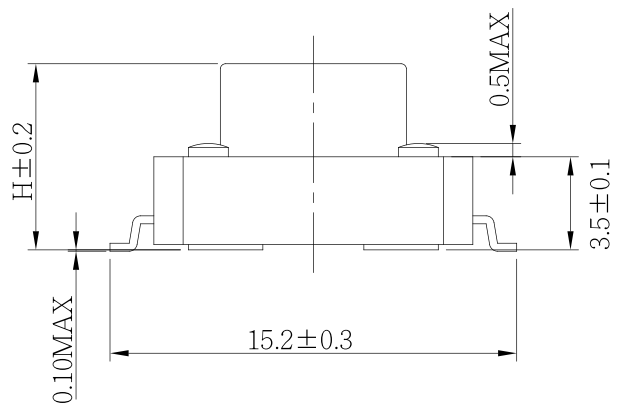
PACKING
R=REEL



P.C.B LAND DIMENSION



CIRCUIT DIAGRAM



TS200VM-085**R-R	8.5 mm
TS200VM-070**R-R	7.0 mm
TS200VM-060**R-R	6.0 mm
TS200VM-050**R-R	5.0 mm
TS200VM-043**R-R	4.3 mm
MODEL NO.	"H"

Designed by	L.Y.D							
Checked by								
Approved by		Unit	mm	Scale	1/1	Date	2011.10.14	
Item	Tactile Switch		Tool	A-Cad	Sheet	1/1	Rev.	0
Model	12X12 SMT		Drawing name		TS200VM- * * * R-R			