

RevNo	Revision note	Date	Signature

NOTE

- 1. RATING : DC 12V 50mA
- 2. CONTACT RESISTANCE : 100mΩMAX
- 3. GENERAL TOLERANCE : +/- 0.3 mm
- 4. MANUFACTURING SPECIFICATION
WOULD BE ACCORDANCE WITH WT0158
- 5. PART NO.(P/N):

TS303VM1 - 025 * * R - R

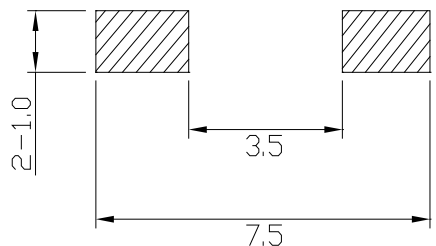
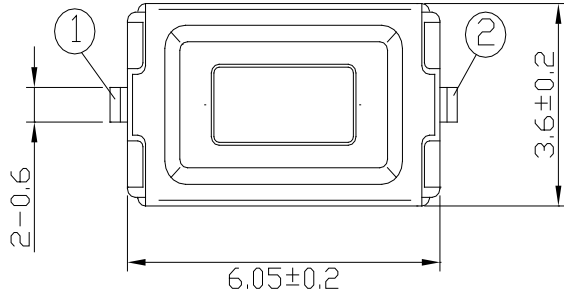
3.7X6.1
VERTICAL

DIMENSION "H"
025=2.5mm

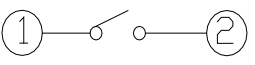
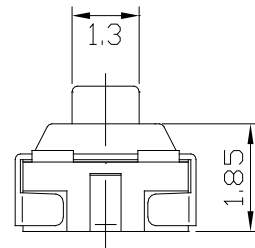
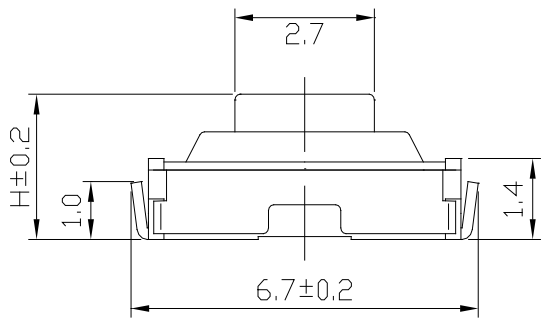
OPERATING FORCE
A=100gf
B=160gf
C=260gf
D=320gf

STEM COLOR
□=DARK GRAY
W=WHITE
R=RED

PACKING
R=REEL



P.C.B LAND DIMENSION



CIRCUIT DIAGRAM

TS303VM1-025**R-R	2.5 mm
MODEL NO.	"H"

Designed by L.Y.D		 冠泰電子有限公司 CHAMPWAY ELECTRONICS CO., LTD.		
Checked by				
Approved by	Unit mm	Scale 1/1	Date 2011.10.14	Rev. 0
Item Tactile Switch	Tool A-Cad	Sheet 1/1	Drawing name TS303VM1-025 * * R-R	
Model 3.7X6.1 SMT				