

NOTE

- 1. RATING : DC 12V 50mA
- 2. CONTACT RESISTANCE : 100mΩMAX
- 3. GENERAL TOLERANCE : +/- 0.3 mm
- 4. MANUFACTURING SPECIFICATION
WOULD BE ACCORDANCE WITH WT0158
- 5. PART NO.(P/N.):

TS400VMG - 008 * R - R

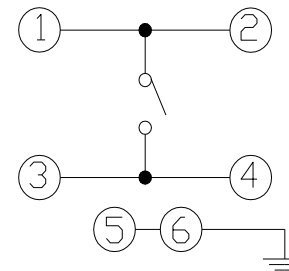
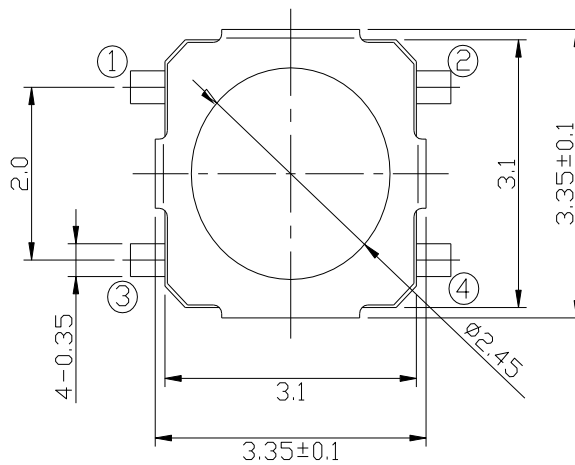
3.3X3.3 VERTICAL

DIMENSION "H"
008=0.85mm

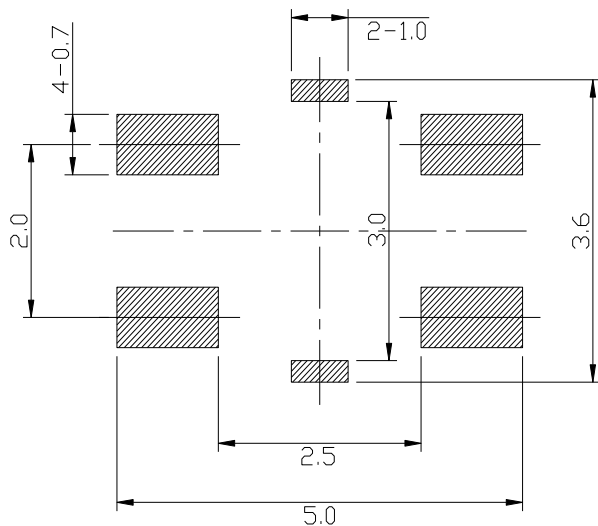
PACKING R=REEL

OPERATING FORCE
A=100gf
B=160gf
C=260gf

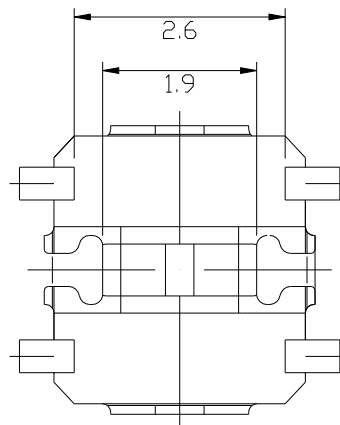
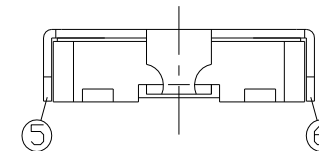
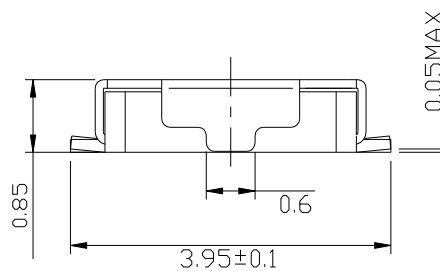
RevNo	Revision note	Date	Signature



CIRCUIT DIAGRAM



P. C. B LAND DIMENSION



Designed by	L.Y.D		CHAMPWAY 冠泰電子有限公司 CHAMPWAY ELECTRONICS CO., LTD.				
Checked by			Scale	1/1	Date	2011.10.14	
Approved by		Unit	mm	Sheet	1/1	Rev.	0
Item	Tactile Switch		Tool	A-Cad	1/1	0	
Model	3.3X3.3X0.8 SMD		Drawing name	TS400VMG-008 * R-R			