

RevNo	Revision note	Date	Signature



NOTE

1. RATING : DC 12V 50mA
2. CONTACT RESISTANCE : 100mΩMAX
3. GENERAL TOLERANCE : +/- 0.3 mm
4. MANUFACTURING SPECIFICATION WOULD BE ACCORDANCE WITH WT0158
5. PART NO.(P/N.):

TS900VH - * □ * R - B

6.0X6.0
WATERPROOF

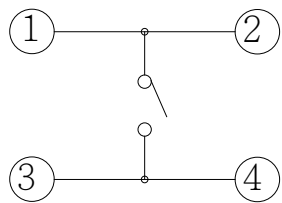
PACKING
B=BAG

OPERATING FORCE
B=160gf
C=260gf

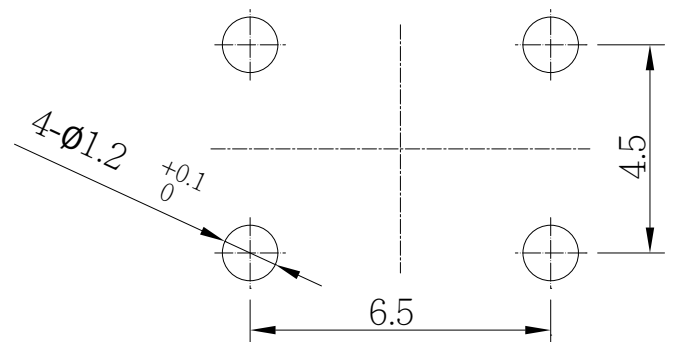
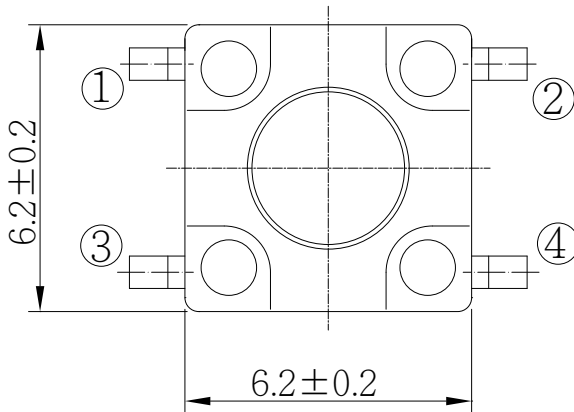
DIMENSION "H"

- 043=4.3mm
- 045=4.5mm
- 050=5.0mm
- 070=7.0mm
- 130=13.0mm
- 140=14.0mm
- 152=15.2mm

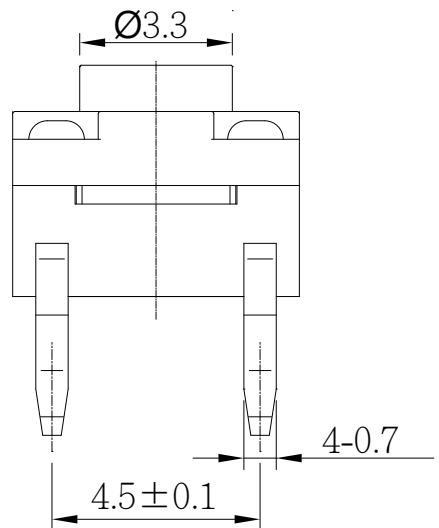
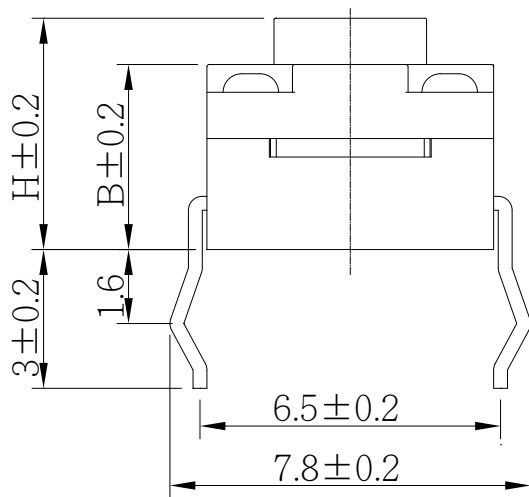
STEM COLOR
□=BLACK



CIRCUIT DIAGRAM



P.C.B LAND DIMENSION



TS900VH-152 * R-B	15.2 mm	4.0 mm
TS900VH-140 * R-B	14.0 mm	4.0 mm
TS900VH-130 * R-B	13.0 mm	4.0 mm
TS900VH-070 * R-B	7.0 mm	4.0 mm
TS900VH-050 * R-B	5.0 mm	4.0 mm
TS900VH-045 * R-B	4.5 mm	4.0 mm
TS900VH-043 * R-B	4.3 mm	3.8 mm
MODEL NO.	"H"	"B"

Designed by	L.Y.D		 冠泰電子有限公司 CHAMPWAY ELECTRONICS CO., LTD.					
Checked by			Unit	mm	Scale	1/1	Date	2011.10.14
Approved by		Item	Tactile Switch		Tool	A-Cad	Sheet	1/1
Model	6.0X6.0 WATERPROOF		Drawing name	TS900VH- * * R-B		Rev.	0	