

**NOTE**

1. RATING : DC 12V 50mA
2. CONTACT RESISTANCE : 100mΩMAX
3. GENERAL TOLERANCE : +/- 0.3 mm
4. MANUFACTURING SPECIFICATION  
WOULD BE ACCORDANCE WITH WT0158
5. PART NO.(P/N.):

TS900VM - \* \* \* R - R

6.0X6.0 WATERPROOF

PACKING R=REEL

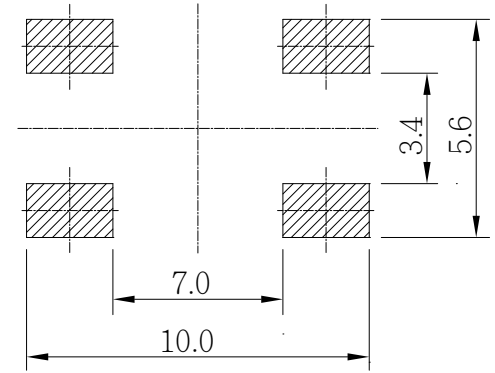
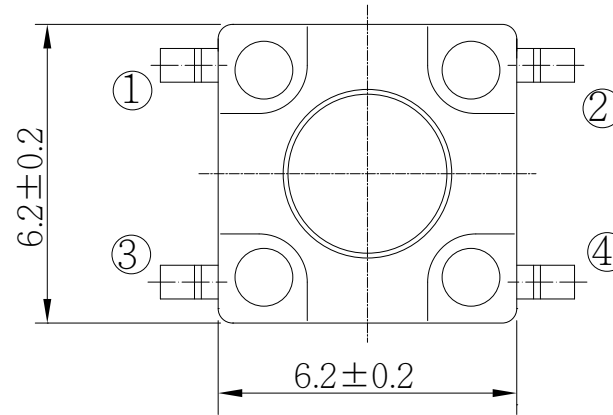
OPERATING FORCE  
B=160gf  
C=260gf  
D=320gf

DIMENSION "H"  
043=4.3mm  
045=4.5mm  
050=5.0mm  
070=7.0mm  
095=9.5mm

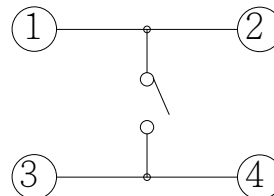
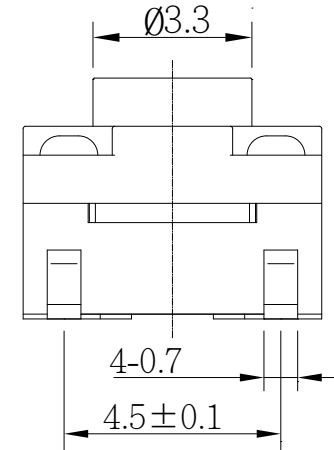
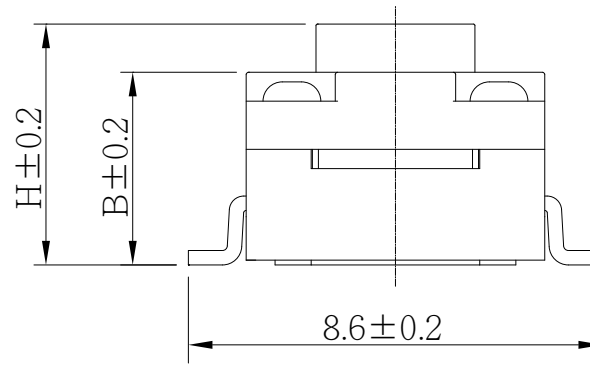
STEM COLOR  
□=BLACK  
W=WHITE



RevNo	Revision note	Date	Signature



P.C.B LAND DIMENSION



CIRCUIT DIAGRAM

TS900VM-095 * R-R	9.5 mm	4.0 mm
TS900VM-070 * R-R	7.0 mm	4.0 mm
TS900VM-050 * R-R	5.0 mm	4.0 mm
TS900VM-045 * R-R	4.5 mm	4.0 mm
TS900VM-043 * R-R	4.3 mm	3.8 mm
MODEL NO.	"H"	"B"

Designed by	L.Y.D		 冠泰電子有限公司 CHAMPWAY ELECTRONICS CO., LTD.					
Checked by			Unit	mm	Scale	1/1	Date	2011.10.14
Approved by		Item	Tactile Switch		Tool	A-Cad	Sheet	1/1
Model	6.0X6.0 WATERPROOF	Drawing name	TS900VM- * * * R-R		Rev.	0		